

Parts Connect®

The Contractors' Choice

2026-2027

Edition 12

www.parts-connect.com

TABLE OF CONTENTS

Test Equipment.....	2-3
Thermometers	4
Tools	5
Zoom Spouts	6
Flame Sensors & Ignitors	7
HSI Ignitors.....	8
Electric Heat Coil Kits	9
Electric Heat Sequencers	10
Motors.....	11-14
Fan Blades	15
Capacitors	16-21
Terminals	22-23
A/C Evaporators	24-25
Gas Connectors & Fittings & Condensate Pump	26
Mini Split Condensate Pumps	27
Compressors	28-33
Hard Start Kits & Start Relays	34
Transformers	35
Contactors	36
Relays & Motors	37
General Purpose Timers & Refrigeration Defrost Controls.....	38
Refrigerants	39
Hoshizaki Ice Machine.....	40
Manitowoc Ice Machine	29, 41
Scotsman Icemaker.....	42-43
Ice Machine	44
Index.....	45-48
Warehouse Locations	49-56

TEST EQUIPMENT

HVAC CLAMP METER with TEMPERATURE



CM100 1.2" Jaw Opening 1000 Amps AC

- Auto Ranging
- Temperature F/C -58° to 2372°F / -50° to 1300°C
- Capacitance 100 μ F
- Continuity Buzzer Sounds at 100 Ω
- Diode Test: 0.3mA Open Circuit 1.5V
- 9" x 3.1" x 1.9"
- Soft Case
- Volts AC/DC 600V CAT III
- Resistance 40M Ω
- Frequency 10MHZ
- Max/Min/Hold
- Instructions
- (2) AAA Batteries
- Temperature Probe

MULTIMETER with TEMPERATURE

TM200 True RMS

- Auto Ranging
- Temperature F/C -58° to 1400°F / -50° to 760°C
- Capacitance 40 μ F
- Continuity Buzzer
- Diode Test: 0.3mA Open Circuit 1.5V
- 7.2" x 3.2" x 2.2"
- Type K Temperature Probe
- Volts AC/DC 1000V CAT III
- Resistance 40M Ω
- 0.1 μ A to 10A AC/DC
- Weight 12.7oz
- Soft Case
- Frequency 10 MHz
- Max/Min/Hold
- Instructions
- (1) 9V Battery
- Test Leads



COMBUSTIBLE GAS LEAK DETECTOR

GD100 Detects: Natural Gas, Propane, Gasoline, Methane, Butane, Alcohol, Acetone, Naptha, Carbon Monoxide, Jet Fuel, Hydrogen Sulfide, Ammonia, Lacquer Thinner

- Pump Driven Detector can be calibrated in the field
- Range: 10ppm
- Weight: 1.1lb
- 16" Gooseneck Detector
- Alarm: Visible & Audible
- Response: <2 sec.
- 8.7" x 2.8" x 1.8"



TEST EQUIPMENT



DIFFERENTIAL PRESSURE MANOMETER

DM100 inH₂O : -55.4" to +55.4

- 11 Selectable units of measure: inH₂O, psi, mbar, kPa, inHg, mmHg, ozin², ftH₂O, cmH₂O, kgcm², bar
- Max/Min/Avg
- Low Battery Indicator
- Backlight
- 9 V Battery
- 9 V Battery
- psi +/- 2
- Data Hold
- Record Mode
- Time Stamp
- Zero Function
- Dual LCD Display
- Auto Power Off
- Manual

DIAGNOSTIC PSYCHROMETER

DP100 Calculates Target Superheat (TSH)

- Target Evap Exit Temp (TEET)
- Temperature -30 to 199°F (-30 to 100°C)
- Type K Temp -58 to 2501°F (-50 to 1372°C)
- MAX, MIN, HOLD Modes
- -22 to 199°F (-30 to 100°C) Dew Point
- 32 to 176°F (0 to 80°F) Wet Bulb
- Selectable NTC or Type K Measurement
- Soft Case
- 6.2oz.
- 0 to 100% RH
- 9V Battery
- Dual Display & Backlight
- 7.4" x 2.5" x 1.1"
- Temperature Probe
- Auto OFF
- Manual



TYPE-K DUAL INPUT THERMOMETER



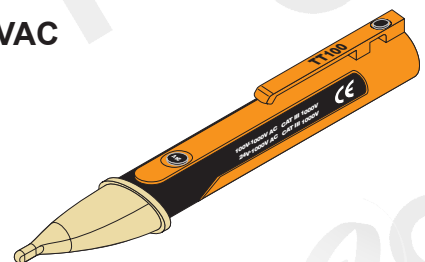
DT100 -58 to 2000°F (-50 to 1300°C)

- Differential Measurement T1-T2
- Selectable °F/°C
- Type-K Thermocouples
- 9V Battery
- Low Battery Indicator
- Holdster & Stand
- Backlight LCD
- Soft Case
- 14oz.
- Data & MAX Hold
- Manual
- Auto Power OFF
- 6.5" x 3" x 1.7"

LOW VOLTAGE DETECTOR & LED FLASHLIGHT

TT100 Non-contact AC CAT III detection 24 to 1000VAC

- Bright LED Flashlight with ON/OFF Button
- Red LED light & Audible Beeper Indicator
- For Outlets or Against Wire Insulation
- For Use On 50/60 Hz Circuits



THERMOMETERS

No Touch Infrared-Non-Contact Forehead Scan to Check for Fevers Too!

Get an accurate body temperature reading without making physical contact. Infrared thermometers are suitable for diagnosing fever or illness, checking the temperature of objects such as baby formula.



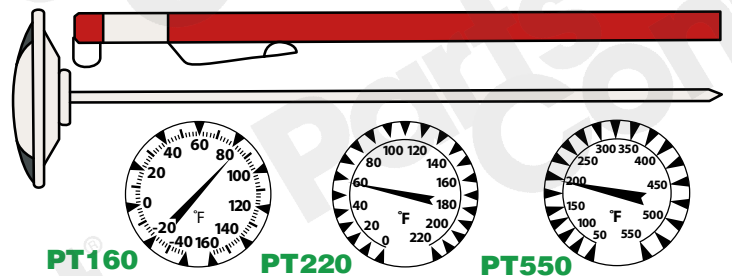
- IT100** 8:1 Compact Laser • -22 to 500°F (-30° to 260°C)
- Selectable °F/°C
 - Max & Min Record
 - Soft Case
 - Automatic Data Hold
 - 5.2" x 3.8" x 1.4"
 - 9V Battery
 - Backlight LCD
 - 4.6oz
 - Instructions

- IT200** 12:1 Compact Laser • -58 to 1202°F (-50° to 650°C)
- Selectable °F/°C
 - Max & Min Record
 - 5.7oz
 - Automatic Data Hold
 - Trigger Lock
 - Soft Case
 - 9V Battery
 - Backlight LCD
 - 5.7" x 4.1" x 1.7"
 - Instructions



MECHANICAL 1" DIAL POCKET THERMOMETERS

Part No.	Range	• 5" Stem
PT160	-40 - 160°F	• Pocket Sheath & Clip
PT220	0 - 220°F	• Recalibrateable
PT550	+50 - 550°F	• Magnifying Lens



TOOLS



TOOL BAG WITH RUBBER BASE

- Black/Red Tool Bag w/ Rubber Base
- Made of Strong 600D Polyester Material
- Rubber Bottom for Extra Protection
- Includes Shoulder Strap & Handle
- 10 Inside Pockets 14 Pockets, 2 Loops Surrounding Bag Outside

PC13025

6 - IN - 1 SCREWDRIVER

New with IMPROVED DURABILITY

Available in a Display Box of 12



Part No.	Description
PC9358	6-in-1 Screwdriver
PC9358-12	Display Box of 12

PC70051

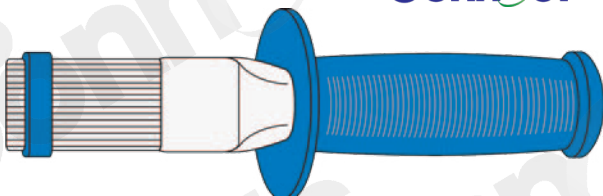
6 - IN - 1 SCREWDRIVER



Includes Bit Sizes:
Flat-Tip 3/16 & 1/4-Inch, Phillips #1 & #2
Hex 5/16-Inch & 1/4-Inch

- Ergonomic Grip

Available in a Display Box of 12



PTB550 CONDENSER FIN STRAIGHTENER TOOL

Rubber Grip Handle with Knuckle Saver

ZOOM SPOUTS



RUST BUSTER

Quickly loosens rusted bolts, screws, shafts, piping and all types of "frozen" connections. Comes with 14" telescoping spout.

PCRB75

ZOOM SPOUT OILER

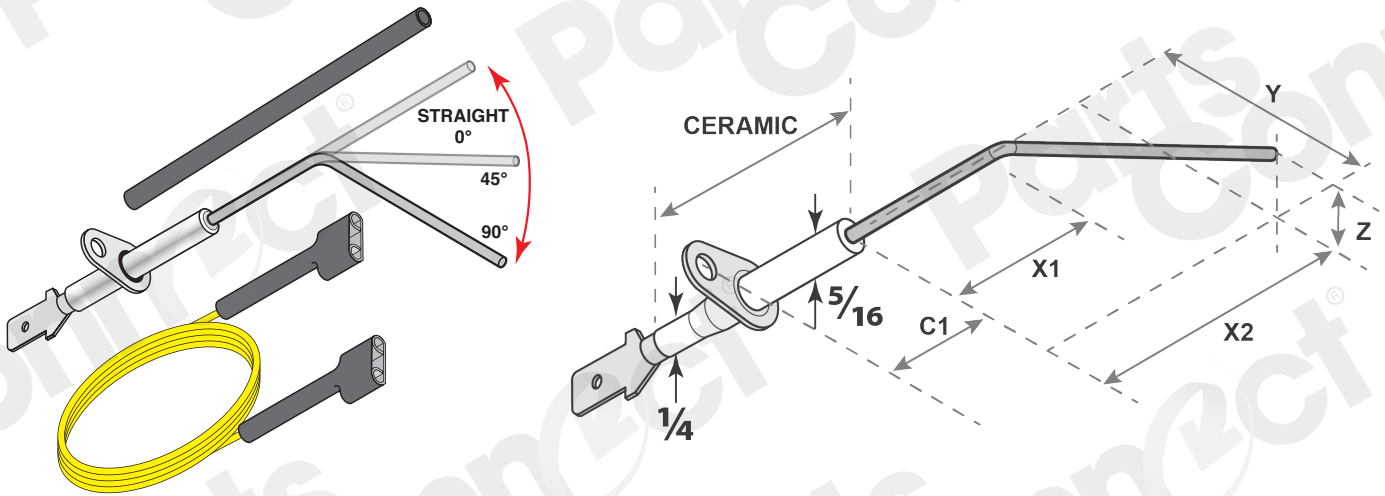
Zoom Spout Oiler contains 4oz. of high grade turbine oil. Comes with 14" telescoping spout for those hard to reach places.



PCZS75

FLAME SENSORS & IGNITORS

UNIVERSAL FLAME SWITCH



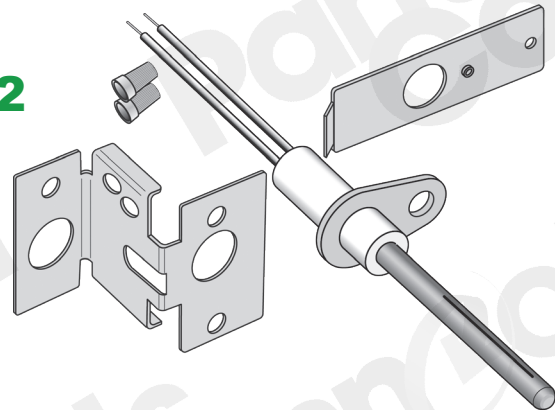
- Rod can be bent or cut to replace over 120 parts
- High temperature rod withstands 2200°F
- Protective sleeve included for bending the rod
- 30" lead wire with 1/4" & 3/16" quick-connect terminals included

PCUFS1

PREMIUM NITRIDE IGNITOR

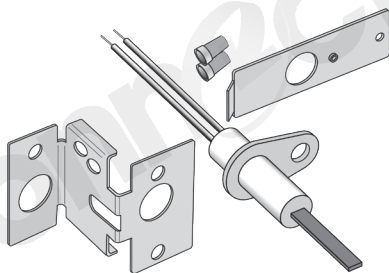
PC21D64-2

Upgrades silicon carbide integrated or non-integrated systems to long-lasting and durable nitride. The nitride ignitor is connected in the existing HSI system, ensuring consistent performance and long ignitor life.



UNIVERSAL NITRIDE IGNITOR 120V UPGRADE KIT

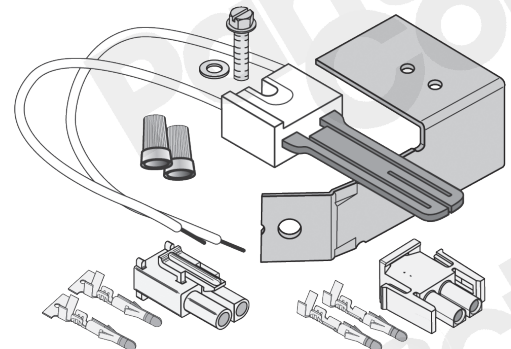
PC21D64-44



UNIVERSAL FLAT SILICON CARBIDE IGNITOR

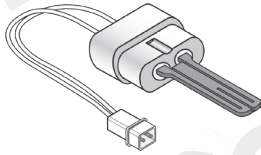
PCIG402K

WILL REPLACE:
41-402, 41-408,
41-410, 41-411



HSI IGNITORS

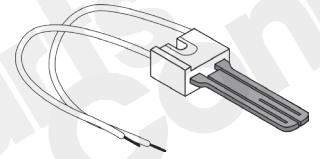
FLAT NORTON 41-SERIES



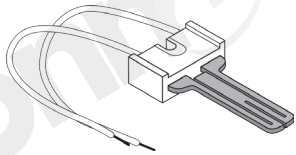
PC1401 (41-401)

Ceramic Block = A
 Terminal Style = A
 Replaces: 201A & 271A
 Goodman B1336102
 Rheem 625019

Ceramic Block = B
 Terminal Style =
 Wire Connectors
 Replaces 201N & 201W,
 271N & 271W
 Rheem 625021, Trane IG23



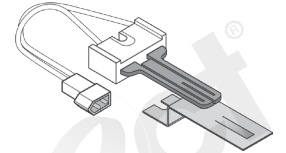
PC1402 (41-402)



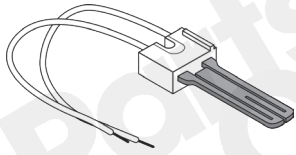
PC1403 (41-403)

Ceramic Block = C
 Terminal Style =
 Wire Connectors
 Replaces 271M
 Heil 1380654
 Trane IGN26, IGN30

Ceramic Block = C
 Terminal Style = D
 Replaces 271M
 Rheem 1096048
 Weil McLain 511-390-190



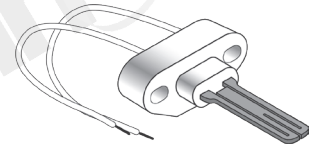
PC1404 (41-404)



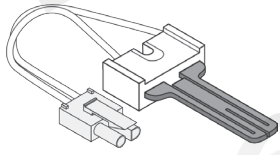
PC1405 (41-405)

Ceramic Block = D
 Terminal Style =
 Wire Connectors
 Replaces 271D
 York 025-27766-000

Ceramic Block = E
 Terminal Style =
 Wire Connectors
 Replaces 271Y
 Weil McLain 511-330-193



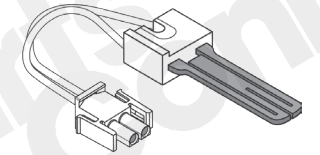
PC1406 (41-406)



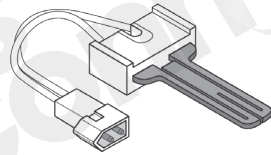
PC1407 (41-407)

Ceramic Block = C
 Terminal Style = B
 Replaces 271
 Trane B144676P02, IG30

Ceramic Block = B
 Terminal Style = C
 Replaces 271N
 Rheem 62-22441-01
 62-22868-92, Trane IGN0034



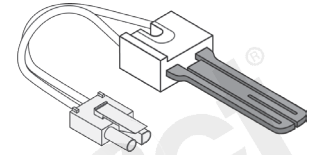
PC1408 (41-408)



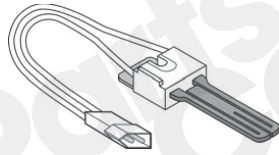
PC1409 (41-409)

Ceramic Block = C
 Terminal Style = D
 Replaces 271N
 Carrier LH33ZS001, 2,
 LH33ZS003, 4
 Rheem 625020, Trane IG26

Ceramic Block = B
 Terminal Style = B
 Replaces 271N
 Rheem 65015
 Trane B144676P01



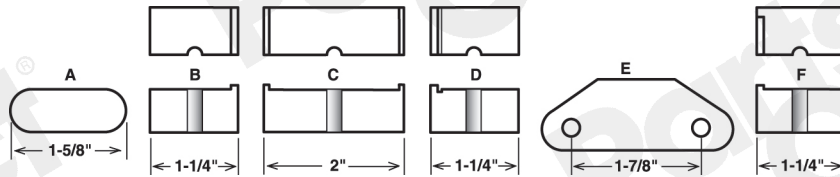
PC1410 (41-410)



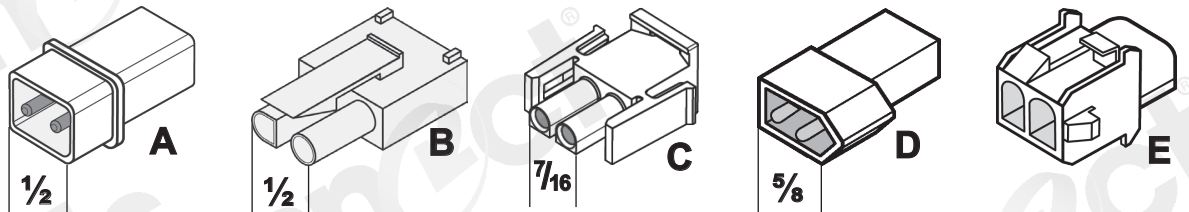
PC1412 (41-412)

Ceramic Block = F
 Terminal Style = D
 Replaces Norton 271NM
 ICP 1009604
 Rheem 65024

CERAMIC BLOCK CHART FOR IGNITORS

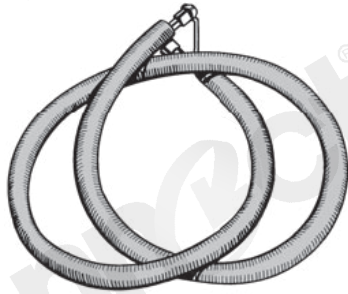


TERMINAL BLOCK CHART FOR IGNITORS



ELECTRIC HEAT

GENERAL PURPOSE RESTRING COIL KITS

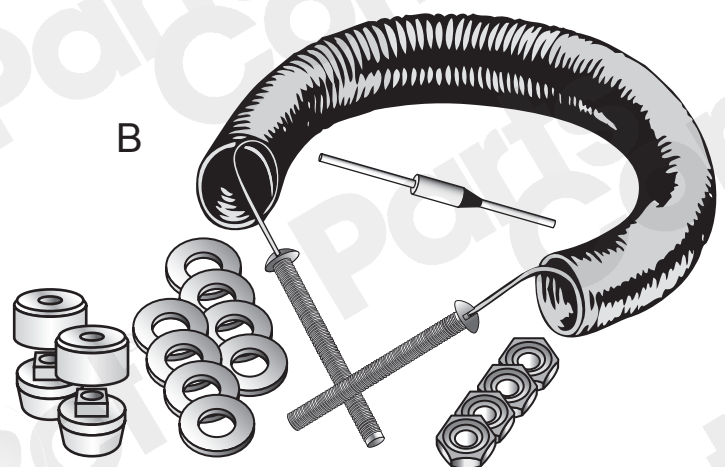
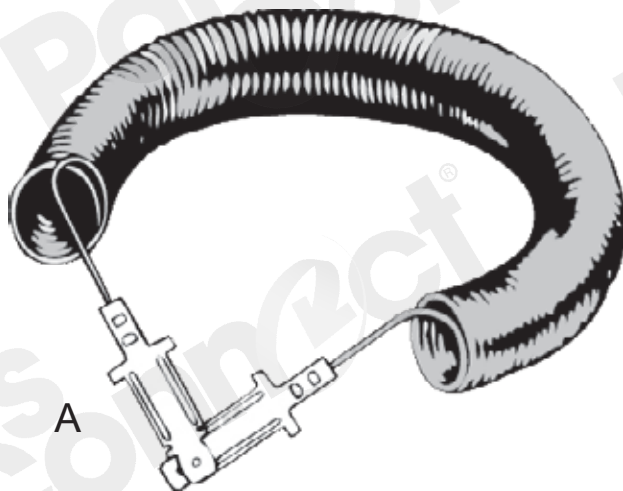


Restring kits are complete with terminal insulators, screws, washers & nuts. Coil wire is in a tight coil with 11/32" max. o.d. Packed in polybag with instructions. Select desired wattage - Order by Part Number.

<u>Part No.</u>	<u>Watts at 240V 208V</u>	<u>Part No.</u>	<u>Watts at 240V 208V</u>
DH500	5000 3750	DH507	3000 2250
DH501	3500 2625	DH512	4750 3563
DH502	2000 1500	DH516	4666 3500
DH503	2500 1875	DH520	6600 4950
DH505	4500 3375	DH534	6000 4500
DH506	4000 3000	DH556	3300 2475

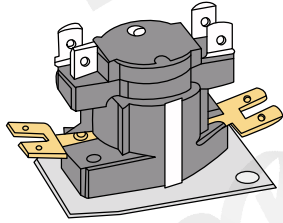
5/8" O.D. GENERAL PURPOSE COIL KITS

<u>Part No.</u>	<u>Pic</u>	<u>Connector</u>	<u>Watts</u>	<u>Volts</u>
DH500FC	A	1/4" Spade	5,000	240
DH500FCB	B	Bolt	5,000	240
DH506FC	A	1/4" Spade	4,000	240
DH506FCB	B	Bolt	4,000	240
DH501FC	A	1/4" Spade	3,500	240
DH501FCB	B	Bolt	3,500	240
DH501-4FC	A	1/4" Spade	3,500	277



ELECTRIC HEAT SEQUENCERS

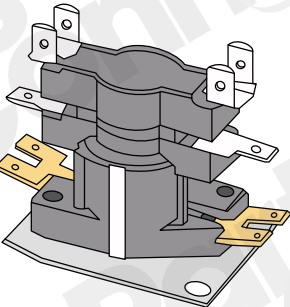
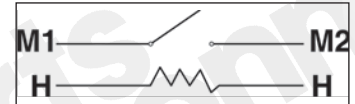
Direct replacement for most fan and heat sequencing functions
 • 24 Volt input control • Solid State with Quick Connect Terminals



PCQ101
(GS101)

Q101
33241
24A34-1
TDR10

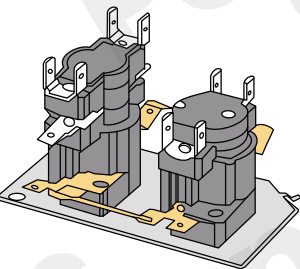
OFF 40-110 Sec.
ON 1-20 Sec.



PCQ102
(GS102)

Q102
33242
24A34-2
TDR15

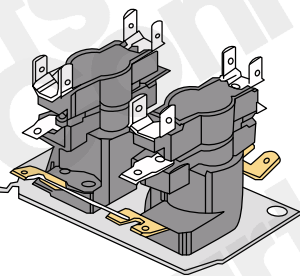
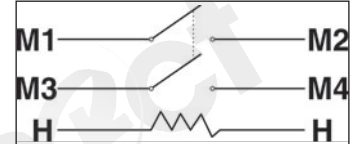
OFF 1-30 Sec.
ON 30-90 Sec.



PCQ103
(GS103)

Q103
33244
24A34-3
TDR20

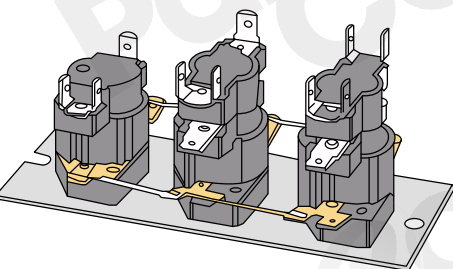
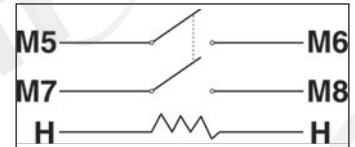
OFF 40-110 Sec.
ON 1-20 Sec.



PCQ104
(GS104)

Q104
33245
24A34-4
TDR25

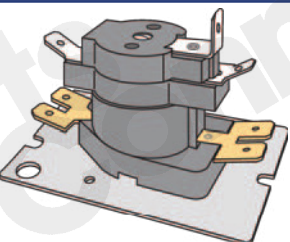
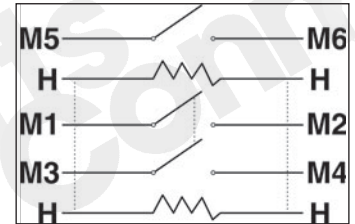
OFF 1-30 Sec.
ON 30-90 Sec.



PCQ105
(GS105)

Q105
33232
24A34-5
TDR30

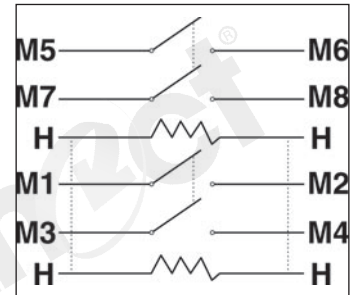
OFF 1-110 Sec.
ON 1-110 Sec.



PCQ106
(GS106)

Q106
33233
24A34-6

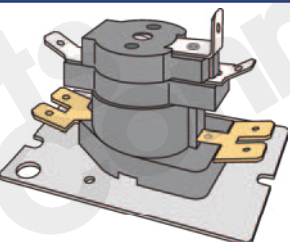
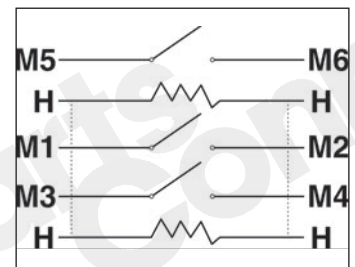
OFF 1-30 Sec.
ON 30-90 Sec.



PCQ107
(GS107)

Q107
15SH41

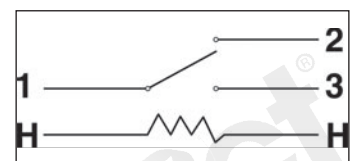
OFF 40-110 Sec.
ON 30-90 Sec.



PCQ108
(GS108)

Q108
GOODMAN
B1370738

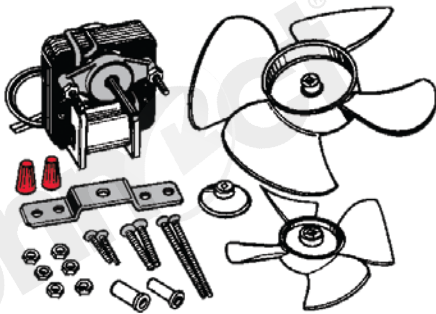
OFF 65-115 Sec.
ON 1-25 Sec.



DRAFT INDUCER, MISC. MOTORS & ACCS.

UTILITY FAN MOTOR

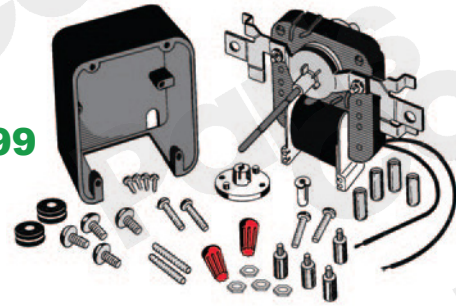
120V 1-Speed 5/8" Stack
Shaft: 1 1/4" Long x 3/16" Dia.



WD670

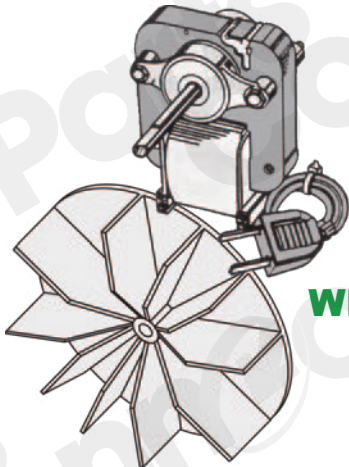
UNIVERSAL EVAPORATOR FAN MOTOR KIT

SM999



- 115V
- 1-Speed

VENT HOOD MOTOR



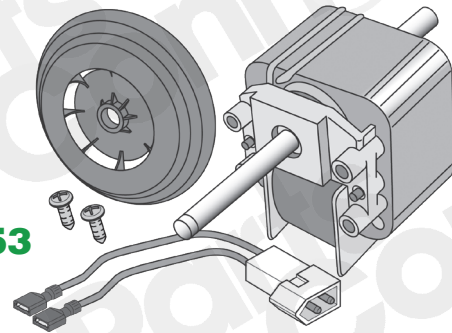
WD100-550

- 120V w 2-Prong AC Plug
- 1-Speed
- CCW
- 7/8" Stack
- Fan Blade Included
- Shaft: 7/32" x 1 3/4"

Replaces: Nutone
C65878, VFM100, 33-100,
EM550

INDUCER MOTOR

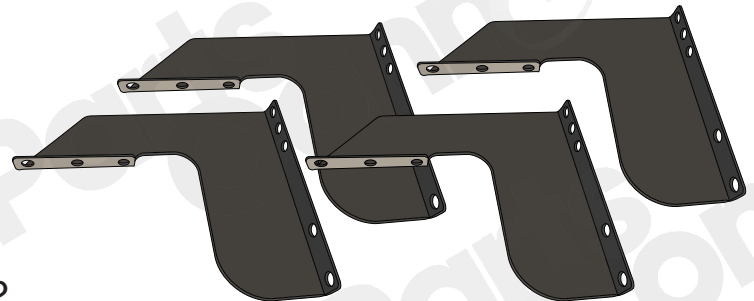
PCI4753



115V, 65W

Can replace Carrier
HC21ZE117, HC660005,
318984-753, 65569, EM4753

MOTOR BRACKET, 4 COUNT



PC61698

Replacement for Rheem
AE-61698-82, AE-61612-01, 10-61698-02,
AE-61698-01, AE61698-02

Fits Rheem Models:

R801SA050314ZSB, R801SA050314ZXB, R801SA075317ZSB, R801SA075417ZSB, R801SA075417ZXB,
R801SA100317ZSB, R801SA100421ZSB, R801SA100521ZSB, R801SA125524ZSB, R801SA150524ZSB,
R801TA050314MSA, R801TA050314MXA, R801TA075317ZSB, R801TA075317ZXB, R801TA075417MSA,
R801TA075417MXA, R801TA100521ZSB, R801TA100521ZXB, R801TA125524ZSB, R801TA125524ZXB,
R802TA050314MXA, R802TA075317MXA, R802TA100521MXA, R802VA075317ZXB, R802VA100521ZXB,
RHWB04WMP36A, RHWB04WMX36B, RHWB10WRP60A

5 1/2" 40°C BLOWER MOTORS

3-SPEED 40°C DIRECT DRIVE BLOWER MOTORS



- Sleeve Bearings
- 3 Speed
- 1075 RPM
- Reversible
- 1/2" x 4" Shaft w/Flat
- Open Enclosure
- PSC

HP	Amps	Volts	Cap.	Part No.
1/4	4.2 - 2.4 - 2.0	115	5μ	PC3583
1/3	5.5 - 3.0 - 2.0	115	7.5μ	PC3585
1/2	7.5 - 4.5 - 3.0	115	10μ	PC3587
3/4	10.2 - 7.3 - 4.5	115	15μ	PC3589
1/4	2.0 - 1.1 - 0.9	208-230	5μ	PC3584
1/3	2.8 - 1.7 - 1.2	208-230	5μ	PC3586
1/2	3.6 - 2.3 - 1.6	208-230	10μ	PC3588
3/4	5.5 - 4.5 - 3.2	208-230	10μ	PC3590

4-SPEED MULTI-HP 40°C DIRECT DRIVE BLOWER MOTORS

- 2 1/2" Mtg Rings
- Electrically Reversible
- 10μF370V Capacitor
- 48Y Frame
- Sleeve Bearing
- 5 x 1/2" Shaft/4" Flat
- 1075RPM/4 Speed
- Automatic Overload
- 40°C



H.P.	Volts	Amps.	Body Length	Shaft Length	Part No.
1/2 - 1/6	115	7.0	4.81"	5"	PC3463
3/4 - 1/5	115	9.1	4.81"	5"	PC3466
1/2 - 1/6	208/230	3.9	4.81"	5"	PC3464
3/4 - 1/5	208/230	3.9	4.81"	5"	PC3467

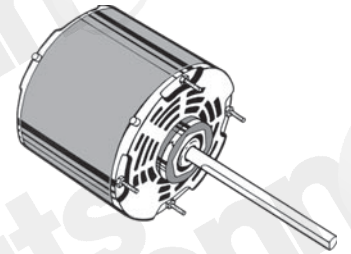
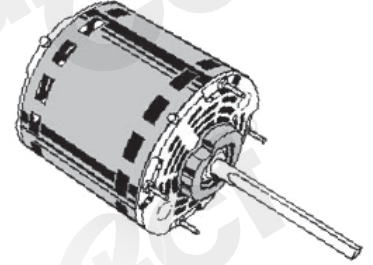
5½" MOTORS

40°C DIRECT DRIVE BLOWER MOTORS CAPACITOR INCLUDED

- Sleeve Bearings
- 1075 RPM
- Reversible
- 1/2" x 6" Shaft w/Flat
- Open Enclosure
- PSC
- Capacitor Included in the Box

<u>HP</u>	<u>AMPS</u>	<u>Speeds</u>	<u>Cap.</u>	<u>Length</u>	<u>Part No.</u>
<u>115 Volt</u>					
1/2-1/3-1/4-1/5	7.7/5.5/4.2/3.3	4	10μ	5¼"	PCD701
1/6-1/8-1/10	2.5	3	5μ	4¼"	PCD928*
1/4-1/5-1/6	4.8/3.3/2.6	3	5μ	4"	PCD721
1/3-1/4-1/5	5.4/4.6/3.8	3	5μ	4¼"	PCD727
3/4-1/2-1/3	4.8/3.3/2.6	3	10μ	5½"	PCD728
<u>208-230 Volt</u>					
1/4-1/6-1/8	2.2/1.5/4.2/1.1	3	5μ	4"	PCD725
1/3-1/4-1/5	1.8	3	5μ	4¼"	PCD923
3/4-1/2-1/3	5.4/3.8/2.9	3	10μ	5½"	PCD729

* Shaft 1/2" X 5½"



60°C TOTALLY ENCLOSED CONDENSER MOTORS



- 208-230V
- Ball Bearings
- Single Speed
- PSC
- Reversible
- 1/2" x 6" Shaft w/Flat

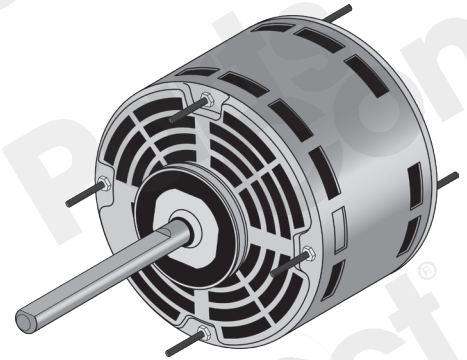
<u>HP</u>	<u>Amps</u>	<u>RPM</u>	<u>Cap</u>	<u>Part No.</u>
1/6	1.1	825	5μF370V	PC3403
1/4	1.5	825	5μF370V	PC3404
1/3	1.8	825	7.5μF370V	PC3405
1/2	2.7	825	10μF370V	PC3746
1/6	1.3	1075	5μF370V	PC3727
1/4	2.0	1075	5μF370V	PC3728
1/3	2.5	1075	7.5μF370V	PC3729
1/2	3.5	1075	10μF370V	PC3730
3/4	5.3	1075	10μF370V	PC3731

5 1/2" CONDENSER MOTORS

PSC • DIRECT DRIVE FAN & BLOWER 5.6" DIAMETER • OPEN AIR OVER

- Stud Extensions
- 48Y Frame
- 115 Volt
- Permanent Split Capacitor
- Continuous Duty, Air Over
- All Angle Mount
- Requires 370 Volt Run Capacitor (not included)

- SAB Bearings Have All Angle Thrust System
- 24" Leads
- 1075 RPM
- 60 HZ
- 5" Shaft
- Auto Thermal Protection
- 2.5" Diameter Hub Rings Included

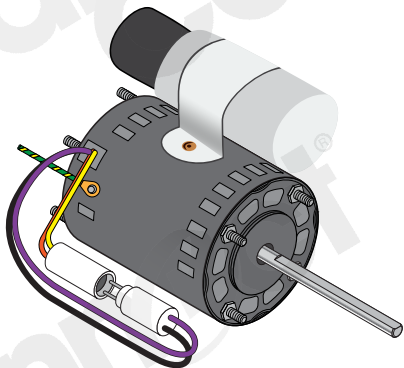


- Class B Insulation
- 3 Speed
- Reversible Rotation

HP [Ⓢ]	Part No.	Volts	μF @370V	Amps	"A" Dim
1	PC8906	115	20.0	12.1	6.1
1	PC8907	208-230	20.0	5.6	6.1

3-IN-1 BLOWER MOTOR PCD1127

3.3" Dia. • 115/208-230V • 1 Speed
• 1550RPM • 1/12-1/15-1/20 HP
Emerson: 9650, 9651, 9652, 9653,
9656, 9664 • Century: 9721



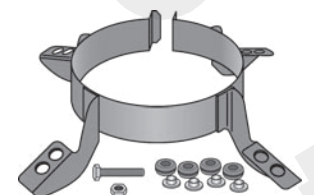
Fasco: D1101, D1103, D1122,
D1124, D1125, D1123, D1126,
D1127, D1152, D1154, PD1125,

DIRECT DRIVE BLOWER MOUNTING KITS

For 5 1/2" & 5" motors For 9" &
10" bolt circles Grommets &
eyelets included.



MB55 3 LEG



MB554 4 LEG

FAN BLADES

SKU SYNTAX

XW1803-20RA-CTN

Part No.	Description
ADEE1205-23LA-CTN	12IN 5 BLD 23 DEG 5/16IN
ADEE1205-23RA-CTN	12IN 5 BLD 23 DEG 5/16IN
ADEE1405-20RA-CTN	14IN 5 BLD 20 DEG 5/16IN
ADOU805-25RA-CTN	8IN 5 BLD 25 DEGCW
BN631-Y-337SRG-CTN	6.31IN OD 3.37IN 3/8INCW
G2402-16RG-CTN	24IN 2 BLD 16 DEG 1/2IN
G2403-19RG-CTN	24IN 3 BLD 19 DEG 1/2IN
HUB3125	FAN HUB .3125 BORE
HUB375	FAN HUB .375 BORE
HUB500	FAN HUB .500 BORE
HUB625	FAN HUB .625 BORE
OA2203-20.5LG-CTN	22IN 3 BLD 20.5 DEG 1/2IN
OA2204-22LG-CTN	22IN 4 BLD 22 DEG 1/2IN
OA2204-28LG-CTN	22IN 4 BLD 28 DEG 1/2IN
T1803-27LG-CTN	18IN 3 BLD 27 DEG 1/2IN
T1803-27RA-CTN	18IN 3 BLD 27 DEG 1/2IN
T1804-27LG-CTN	18IN 4 BLD 27 DEG 1/2IN
T2402-18RG-CTN	24IN 2 BLD 18 DEG 1/2IN
T2603-20LA-CTN	26IN 3 BLD 20 DEG 1/2IN
T2603-21RG-CTN	26IN 3 BLD 21 DEG 1/2IN
T2603-24RG-CTN	26IN 3 BLD 24 DEG 1/2IN
TNT2203-24RG-CTN	22IN 3 BLD 24 DEG 1/2IN
TNT2203-25LG-CTN	22 3 BLD 25 DEG 1/2IN CC
TNT2203-26LG-CTN	22IN 3 BLD 26 DEG 1/2IN
TNT2204-32LG-CTN	22IN 4 BLD 32 DEG 1/2IN
TNT2402-31LG-CTN	24IN 2 BLD 31 DEG 1/2IN
X1803-32LA-CTN	18IN 3 BLD 32 DEG 1/2IN
X2002-24RA-CTN	20IN 2 BLD 24 DEG 1/2IN
XS1802-20RA-CTN	18IN 2 BLD 20 DEG 1/2IN
XW1803-27RA-CTN	18IN 3 BLD 27 DEG 1/2IN
XW1803-28LG-CTN	18IN 3 BLD 28 DEG 1/2IN
XW1803-31RG-CTN	18IN 3 BLD 31 DEG 1/2IN
XW1803-35RA-CTN	18IN 3 BLD 35 DEG 1/2IN
XW2003-34LG-CTN	20IN 3 BLD 34 DEG 1/2IN

1. Family

See below for list of families by size and/or application.

2. Diameter

Diameter of fan.

3. Blade Count

Number of blades per individual fan.

4. Pitch

Angle of each individual fan blade.

5. Rotation

R: Clockwise / CW

L: Counter-Clockwise / CCW

6. Material

A: Aluminum

G: Galvanized Steel

7. Packaging

SGL: Single Pack

CTN: Carton (MOQ of Single Packs)

PAL: Full Pallet

Condenser Fan Blades

(Rigid)

TNT / XW - most economic based on CFM / watt

NS - high efficiency, lowest noise

ZS - high efficiency, low noise

G - most economic low pressure

T - medium pressure, available in multiple diameters

CL - high pressure, rugged design

Many more blades available



Small Fan Blades

ADEE - high efficiency, high airflow, low static pressure

ADO - high airflow at lowest power

ADHSS - high static and quiet operation



Large Fan Blades

AG - highly configurable for general vents

CL - high pressure rugged design

ZS series

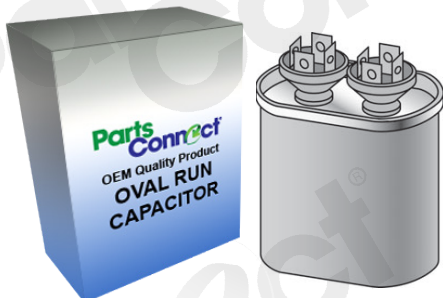
OVAL CAPACITORS

SINGLE OVAL RUN 370V 440V

Part No.	MFD	Part No.	MFD
O2-370	2	O2-440	2
O3-370	3	O2.5-440	2.5
O4-370	4	O3-440	3
O5-370	5	O4-440	4
O5-370WS	5	O5-440	5
O6-370	6	O6-440	6
O7.5-370	7.5	O7.5-440	7.5
O7.5-370WS	7.5	O10-440	10
O10-370	10	O12.5-440	12.5
O10-370WS	10	O15-440	15
O12.5-370	12.5	O17.5-440	17.5
O15-370	15	O20-440	20
O17.5-370	17.5	O25-440	25
O20-370	20	O30-440	30
O25-370	25	O35-440	35
O30-370	30	O40-440	40
O35-370	35	O45-440	45
O40-370	40	O50-440	50
O45-370	45	O55-440	55
O50-370	50	O60-440	60
O55-370	55	O70-440	70
O60-370	60	O80-440	80
O70-370	70		
O80-370	80		

WS = High Temperature

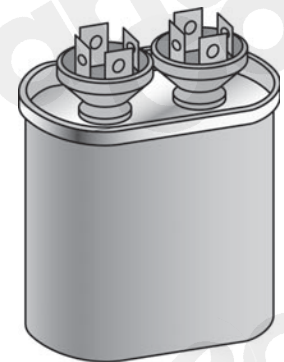
**Parts
Connect**



Capacitors are hermetically sealed for long life. The 370V capacitors replace the following voltages in MFD equivalent ratings: 236V, 250V, 285V, 330V & 350V. The 440V line will replace the 460V capacitors as all Capacitors can withstand over voltages of up to 10% of rating.

DUAL OVAL RUN 370V 440V

Part No.	MFD	Part No.	MFD
OD55-370	5+5	OD105-440	10+5
OD1010-370	10+10	OD154-440	15+4
OD153-370	15+3	OD155-440	15+5
OD154-370	15+4	OD1510-440	15+10
OD155-370	15+5	OD205-440	20+5
OD1510-370	15+10	OD2015-440	20+15
OD1755-370	17.5+5	OD255-440	25+5
OD203-370	20+3	OD2575-440	25+7.5
OD204-370	20+4	OD2510-440	25+10
OD205-370	20+5	OD2515-440	25+15
OD2010-370	20+10	OD304-440	30+4
OD1015-370	20+15	OD305-440	30+5
OD253-370	25+3	OD3075-440	30+7.5
OD254-370	25+4	OD3010-440	30+10
OD255-370	25+5	OD353-440	35+3
OD2575-370	25+7.5	OD354-440	35+4
OD258-370	25+8	OD355-440	35+5
OD2510-370	25+10	OD3575-440	35+7.5
OD2515-370	25+15	OD3510-440	35+10
OD303-370	30+3	OD403-440	40+3
OD305-370	30+5	OD405-440	40+5
OD3075-370	30+7.5	OD4075-440	40+7.5
OD3010-370	30+10	OD4010-440	40+10
OD353-370	35+3	OD455-440	45+5
OD354-370	35+4	OD4575-440	45+7.5
OD355-370	35+5	OD505-440	50+5
OD3575-370	35+7.5	OD5075-440	50+7.5
OD3510-370	35+10	OD555-440	55+5
OD403-370	40+3	OD5510-440	55+10
OD404-370	40+4	OD605-440	60+5
OD405-370	40+5	OD6510-440	65+10
OD4075-370	40+7.5	OD805-440	80+5
OD4010-370	40+10	OD8075-440	80+7.5
OD455-370	45+5		
OD4575-370	45+7.5		
OD4510-370	45+10		
OD4515-370	45+15		
OD505-370	50+5		
OD555-370	55+5		
OD5575-370	55+7.5		
OD605-370	60+5		
OD6075-370	60+7.5		
OD6010-370	60+10		



ROUND RUN CAPACITORS

SINGLE ROUND RUN 370V 440V

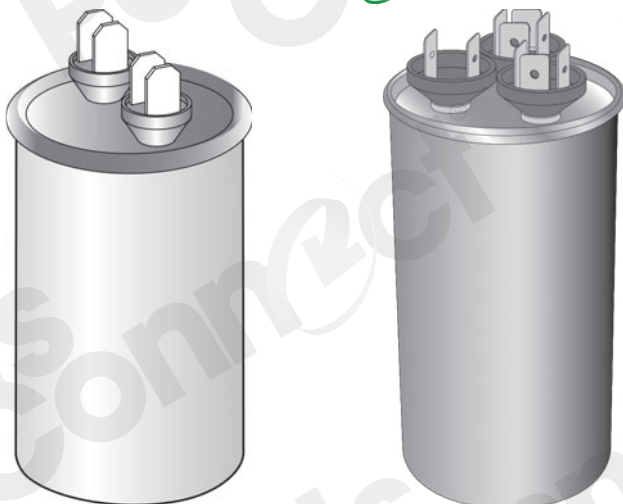
Part No.	MFD	Part No.	MFD
R5-370	5	R5-440	5
R7.5-370	7.5	R7.5-440	7.5
R10-370	10	R10-440	10
R12.5-370	12.5	R12.5-440	12.5
R15-370	15	R15-440	15
R17.5-370	17.5	R17.5-440	17.5
R20-370	20	R20-440	20
R25-370	25	R25-440	25
R30-370	30	R30-440	30
R35-370	35	R35-440	35
R40-370	40	R40-440	40
R45-370	45	R45-440	45
R50-370	50	R50-440	50
R55-370	55	R55-440	55
R60-370	60	R60-440	60
R70-370	70	R70-440	70
R80-370	80	R80-440	80
R100-370	100	R90-440	90

DUAL ROUND RUN 370V 440V

Part No.	MFD	Part No.	MFD
RD1010-370	10+10	RD105-440	10+5
RD154-370	15+4	RD205-440	20+5
RD155-370	15+5	RD2015-440	20+15
RD205-370	20+5	RD253-440	25+3
RD253-370	25+3	RD255-440	25+5
RD255-370	25+5	RD2575-440	25+7.5
RD2575-370	25+7.5	RD2510-440	25+10
RD303-370	30+3	RD2515-440	25+15
RD304-370	30+4	RD303-440	30+3
RD305-370	30+5	RD304-440	30+4
RD3075-370	30+7.5	RD305-440	30+5
RD3010-370	30+10	RD3075-440	30+7.5
RD353-370	35+3	RD353-440	35+3
RD354-370	35+4	RD354-440	35+4
RD355-370	35+5	RD355-440	35+5
RD3575-370	35+7.5	RD356-440	35+6
RD3510-370	35+10	RD3575-440	35+7.5
RD403-370	40+3	RD3510-440	35+10
RD404-370	40+4	RD403-440	40+3
RD405-370	40+5	RD404-440	40+4
RD4075-370	40+7.5	RD405-440	40+5
RD4010-370	40+10	RD406-440	40+6
RD453-370	45+3	RD4075-440	40+7.5
RD455-370	45+5	RD4010-440	40+10
RD4575-370	45+7.5	RD453-440	45+3
RD4510-370	45+10	RD455-440	45+5
RD503-370	50+3	RD456-440	45+6
RD505-370	50+5	RD4575-440	45+7.5
RD5075-370	50+7.5	RD4510-440	45+10
RD5010-370	50+10	RD505-440	50+5
RD555-370	55+5	RD5075-440	50+7.5
RD5575-370	55+7.5	RD555-440	55+5
RD5510-370	55+10	RD5575-440	55+7.5
RD605-370	60+5	RD5510-440	55+10
RD6075-370	60+7.5	RD603-440	60+3
RD6010-370	60+10	RD605-440	60+5
RD705-370	70+5	RD6075-440	60+7.5
RD7075-370	70+7.5	RD6010-440	60+10
RD7010-370	70+10	RD60125-440	60+12.5
RD805-370	80+5	RD705-440	70+5
RD8075-370	80+7.5	RD7075-440	70+7.5
RD8010-370	80+10	RD7010-440	70+10
RD80125-370	80+12.5	RD805-440	80+5
		RD8075-440	80+7.5
		RD8010-440	80+10

OEM QUALITY
ROUND CAPACITORS

Parts
Connect



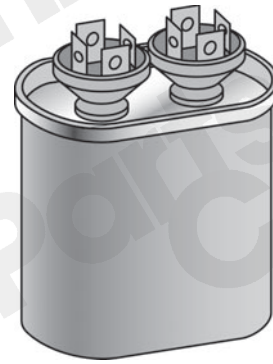
CAPACITORS Made in USA

OVAL RUN CAPACITORS

370 VOLT

440 VOLT

Part No.	Mfd	Part No.	Mfd
PCO2-370A	2µF	PCO2-440A	2µF
PCO3-370A	3µF	PCO2.5-440A	2.5µF
PCO4-370A	4µF	PCO3-440A	3µF
PCO5-370A	5µF	PCO4-440A	4µF
PCO6-370A	6µF	PCO5-440A	5µF
PCO7.5-370A	7.5µF	PCO6-440A	6µF
PCO10-370A	10µF	PCO7.5-440A	7.5µF
PCO12.5-370A	12.5µF	PCO10-440A	10µF
PCO15-370A	15µF	PCO12.5-440A	12.5µF
PCO17.5-370A	17.5µF	PCO15-440A	15µF
PCO20-370A	20µF	PCO17.5-440A	17.5µF
PCO25-370A	25µF	PCO20-440A	20µF
PCO30-370A	30µF	PCO25-440A	25µF
PCO35-370A	35µF	PCO30-440A	30µF
PCO40-370A	40µF	PCO35-440A	35µF
PCO45-370A	45µF	PCO40-440A	40µF
PCO50-370A	50µF	PCO45-440A	45µF
PCO55-370A	55µF	PCO50-440A	50µF
PCO60-370A	60µF	PCO55-440A	55µF
PCO70-370A	70µF	PCO60-440A	60µF
PCO80-370A	80µF	PCO70-440A	70µF
		PCO80-440A	80µF



Features:

- UL listed and CUL approved
- Individually boxed
- Metalized film
- Non PCB oil
- Hertz: 50/60
- Metal Cases
- Oil Filled
- Insulated Terminals



ROUND RUN CAPACITORS

370 VOLT DUAL ROUND RUN CAPACITORS

440 VOLT DUAL ROUND RUN CAPACITORS

Part No.	Mfd	Part No.	Mfd
PCRD253-370A	25 + 3	PCRD453-370A	45 + 3
PCRD254-370A	25 + 4	PCRD455-370A	45 + 5
PCRD255-370A	25 + 5	PCRD457.5-370A	45 + 7.5
PCRD303-370A	30 + 3	PCRD4510-370A	45 + 10
PCRD304-370A	30 + 4	PCRD503-370A	50 + 3
PCRD305-370A	30 + 5	PCRD505-370A	50 + 5
PCRD307.5-370A	30 + 7.5	PCRD507.5-370A	50 + 7.5
PCRD3010-370A	30 + 10	PCRD5010-370A	50 + 10
PCRD353-370A	35 + 3	PCRD555-370A	55 + 5
PCRD354-370A	35 + 4	PCRD557.5-370A	55 + 7.5
PCRD355-370A	35 + 5	PCRD5510-370A	55 + 10
PCRD357.5-370A	35 + 7.5	PCRD605-370A	60 + 5
PCRD3510-370A	35 + 10	PCRD607.5-370A	60 + 7.5
PCRD403-370A	40 + 3	PCRD6010-370A	60 + 10
PCRD404-370A	40 + 4	PCRD805-370A	80 + 5
PCRD405-370A	40 + 5	PCRD807.5-370A	80 + 7.5
PCRD407.5-370A	40 + 7.5	PCRD8010-370A	80 + 10
PCRD4010-370A	40 + 10	PCRD8012.5-370A	80 + 12.5

Part No.	Mfd	Part No.	Mfd
PCRD105-440A	10+5	PCRD407.5-440A	40 + 7.5
PCRD205-440A	20 + 5	PCRD453-440A	45 + 3
PCRD2015-440A	20 + 15	PCRD455-440A	45 + 5
PCRD255-440A	25 + 5	PCRD456-440A	45 + 6
PCRD257.5-440A	25 + 7.5	PCRD457.5-440A	45 + 7.5
PCRD2510-440A	25 + 10	PCRD505-440A	50 + 5
PCRD2515-440A	25 + 15	PCRD507.5-440A	50 + 7.5
PCRD303-440A	30 + 3	PCRD555-440A	55 + 5
PCRD304-440A	30 + 4	PCRD557.5-440A	55 + 7.5
PCRD305-440A	30 + 5	PCRD605-440A	60 + 5
PCRD353-440A	35 + 3	PCRD607.5-440A	60 + 7.5
PCRD354-440A	35 + 4	PCRD6010-440A	60 + 10
PCRD355-440A	35 + 5	PCRD6012.5-440	60 + 12.5
PCRD356-440A	35 + 6	PCRD705-440A	70 + 5
PCRD357.5-440A	35 + 7.5	PCRD707.5-440A	70 + 7.5
PCRD403-440A	40 + 3	PCRD7010-440A	70 + 10
PCRD404-440A	40 + 4	PCRD805-440A	80 + 5
PCRD405-440A	40 + 5	PCRD807.5-440A	80 + 7.5
PCRD406-440A	40 + 6	PCRD8010-440A	80 + 10

START CAPACITORS

125 VAC

Part No.	MFD (μF)
PC21-125	21-25
PC25-125	25-30
PC30-125	30-36
PC36-125	36-43
PC43-125	43-53
PC47-125	47-56
PC56-125	56-75
PC64-125	64-77
PC72-125	72-88
PC88-125	88-108
PC108-125	108-130
PC124-125	124-149
PC130-125	130-156
PC145-125	145-175
PC161-125	161-193
PC189-125	189-227
PC200-125	200-240
PC216-125	216-259
PC233-125	233-292
PC243-125	243-292
PC270-125	270-324
PC295-125	295-354
PC300-125	300-360
PC324-125	324-388
PC340-125	340-408
PC378-125	378-440
PC400-125	400-480
PC430-125	430-516
PC460-125	460-552
PC540-125	540-648
PC590-125	590-708
PC708-125	708-850
PC829-125	829-995
PC1000-125	1000-1200

250 VAC

Part No.	MFD (μF)
PC21-250	21-25
PC25-250	25-30
PC30-250	30-36
PC36-250	36-43
PC43-250	43-53
PC47-250	47-56
PC56-250	56-72
PC64-250	64-77
PC72-250	72-88
PC88-250	88-108
PC108-250	108-130
PC124-250	124-149
PC130-250	130-156
PC145-250	145-175
PC161-250	161-193
PC189-250	189-227
PC216-250	216-259
PC233-250	233-292
PC243-250	243-292
PC270-250	270-324
PC284-250	284-333
PC340-250	340-408
PC400-250	400-480
PC430-250	430-516

330 VAC

Part No.	MFD (μF)
PC21-330	21-25
PC25-330	25-30
PC30-330	30-36
PC36-330	36-43
PC43-330	43-53
PC47-330	47-56
PC56-330	56-72
PC64-330	64-77
PC72-330	72-88
PC88-330	88-108
PC108-330	108-130
PC124-330	124-149
PC130-330	130-156
PC135-330	135-155
PC145-330	145-175
PC161-330	161-193
PC189-330	189-227
PC216-330	216-259
PC270-330	270-324
PC300-330	300-360



CAPACITORS Made in USA

SINGLE ROUND RUN CAPACITORS

370 VOLT

Part No.	Mfd [®]
PCR10370A	10 μ F
PCR12.5370A	12.5 μ F
PCR15370A	15 μ F
PCR20370A	20 μ F
PCR25370A	25 μ F
PCR30370A	30 μ F
PCR35370A	35 μ F
PCR40370A	40 μ F
PCR45370A	45 μ F
PCR50370A	50 μ F
PCR5370A	5 μ F
PCR60370A	60 μ F
PCR7.5370A	7.5 μ F

440 VOLT

Part No.	Mfd
PCR10440A	10 μ F
PCR12.5440A	12.5 μ F
PCR15440A	15 μ F
PCR17.5440A	17.5 μ F
PCR20440A	20 μ F
PCR25440A	25 μ F
PCR30440A	30 μ F
PCR35440A	35 μ F
PCR40440A	40 μ F
PCR45440A	45 μ F
PCR50440A	50 μ F
PCR5440A	5 μ F
PCR55440A	55 μ F
PCR60440A	60 μ F
PCR7.5440A	7.5 μ F
PCR70440A	70 μ F
PCR75440A	75 μ F
PCR80440A	80 μ F



DUAL OVAL CAPACITORS

370 VOLT

Part No.	Mfd
PCOD1510370A	15+10 μ F
PCOD154370A	15+4 μ F
PCOD155370A	15+5 μ F
PCOD2010370A	20+10 μ F
PCOD2015370A	20+15 μ F
PCOD405370A	40+5 μ F
PCOD455370A	45+5 μ F

440 VOLT

Part No.	Mfd
PCOD305440A	30+5 μ F
PCOD355440A	35+5 μ F
PCOD405440A	40+5 μ F
PCOD455440A	45+5 μ F
PCOD505440A	50+5 μ F
PCOD605440A	60+5 μ F



SIGMA CAP PRO™ CAPACITORS

ALWAYS HAVE THE RIGHT CAPACITOR TO FINISH THE JOB THE FIRST TIME!

- Replaces hundreds of different capacitor sizes both singles and duals.
- All units dual rated for 370/440 VAC.
- Simple to use.
- Finish the service job in just one trip. You always have the right size capacitor!
- Each pod can be used as a stand alone unit or stacked to get the MFD value needed.
- Reduces truck stock.
- Saves time and trips the parts house.
- Permanent fix. No reason to return to the job!
- Sigma Cap holds a US Patent.
- Individual pods available so you can adjust stock for your most common builds.
- Rotate and stack the pods to add capacitance on the correct side to build the dual capacitor needed.
- Starter Kits supplied in a reusable clear container.
- Made in the USA



Parts Connect

SCKIT
Starter Kit

Add up the numbers down each side to confirm the MFD rating!



Mini Starter Kits

SCKIT-5 **SCKIT-75**

- **SC255 (1)** • **SC2575 (1)**
- SC5 (1) • SC5 (1)
- SC10 (1) • SC10 (1)
- SC20 (1) • SC20 (1)
- SC30 (1) • SC30 (1)
- SCEC (2) • SCEC (2)

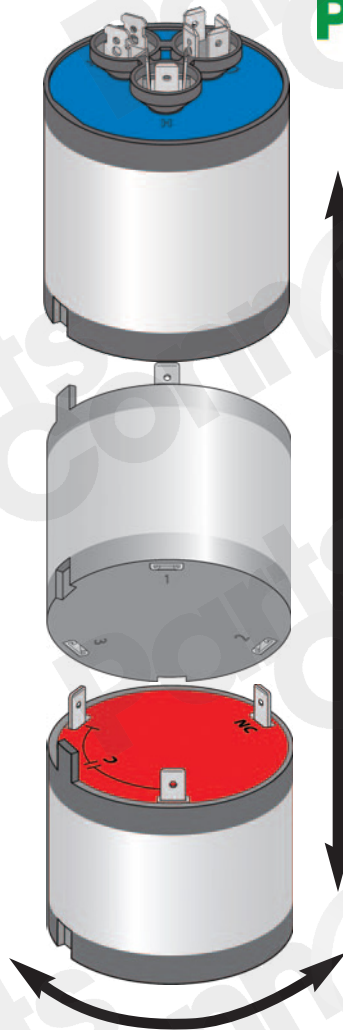
Part No.	Kit Qty	Value	Body Height	Term Height	Total Height	Dia.
SC255	1	25/5 μ F	2.63"	0.531"	3.161"	2.5"
SC2575	1	25/7.5 μ F	2.63"	0.531"	3.161"	2.5"
SC3	1	2.5 μ F	1.938"	0.289"	2.227"	2.5"
SC5	2	5 μ F	1.938"	0.289"	2.227"	2.5"
SC10	1	10 μ F	1.938"	0.289"	2.227"	2.5"
SC15	2	15 μ F	2.1"	0.289"	2.389"	2.5"
SC20	2	20 μ F	2.1"	0.289"	2.389"	2.5"
SC30	1	30 μ F	2.1"	0.289"	2.389"	2.5"
SCEC	2	ENDCAP				2.5"
SCEC-6	-	ENDCAP, 6-PACK				2.5"



SCAN FOR BUILD CALCULATOR



www.sigmacapro.com






Rotate and stack the pods to add capacitance on the correct side to build the dual capacitor needed

TERMINALS



SKU	Description
T1001C	10-12 Wire Insulated (Yellow) 1/4" QC Female Terminal - 100 Pk
T1001P	10-12 Wire Insulated (Yellow) 1/4" QC Female Terminal - 15 Pk
T1002C	14-16 Wire Insulated (Blue) 1/4" QC Female Terminal - 100 Pk
T1002P	14-16 Wire Insulated (Blue) 1/4" QC Female Terminal - 20 Pk
T1003C	14-16 Wire Insulated (Blue) Male Tab Terminal - 100 Pk
T1003P	14-16 Wire Insulated (Blue) Male Tab Terminal - 20 Pk
T1005C	14-16 Wire Fully Insulated (Blue) 1/4" QC Female Terminal - 100 Pk
T1005P	14-16 Wire Fully Insulated (Blue) 1/4" QC Female Terminal - 10 Pk
T1006C	14-16 Wire Fully Insulated (Blue) 1/4" QC Male Terminal - 100 Pk
T1006P	14-16 Wire Fully Insulated (Blue) 1/4" QC Male Terminal - 10 Pk
T1009C	10-12 Wire Fully Insulated (Yellow) 1/4" QC Female Terminal - 100 Pk
T1009P	10-12 Wire Fully Insulated (Yellow) 1/4" QC Female Terminal - 10 Pk
T1010C	10-12 Wire Fully Insulated (Yellow) 1/4" QC Male Terminal - 100 Pk
T1010P	10-12 Wire Fully Insulated (Yellow) 1/4" QC Male Terminal - 10 Pk
T1021C	Fully Insulated 1/4" QC Male - Male Terminal - 100 Pk
T1021P	Fully Insulated 1/4" QC Male - Male Terminal - 10 Pk
T1023C	Fully Insulated 1/4" QC Triple Male Terminal - 100 Pk
T1023P	Fully Insulated 1/4" QC Triple Male Terminal - 10 Pk
T1027C	14-16 Wire Insulated (Blue) 1/4" QC Male/Female Piggy Back Terminal - 100 Pk
T1027P	14-16 Wire Insulated (Blue) 1/4" QC Male/Female Piggy Back Terminal - 10 Pk
T1029C	10-12 Wire Insulated (Yellow) 1/4" QC Male/Female Piggy Back Terminal - 100 Pk
T1029P	10-12 Wire Insulated (Yellow) 1/4" QC Male/Female Piggy Back Terminal - 10 Pk
T1035C	14-16 Wire 1/4" Insulated (Blue) Ring Terminal - 100 Pk
T1035P	14-16 Wire 1/4" Insulated (Blue) Ring Terminal - 20 Pk
T1033C	14-16 Wire Insulated #8 (Blue) Ring Terminal - 100 Pk
T1033P	14-16 Wire Insulated #8 (Blue) Ring Terminal - 20 Pk
T1034C	14-16 Wire Insulated #10 (Blue) Ring Terminal - 100 Pk
T1034P	14-16 Wire Insulated #10 (Blue) Ring Terminal - 20 Pk
T1037C	10-12 Wire Insulated #10 (Blue) Ring Terminal - 100 Pk
T1037P	10-12 Wire Insulated #10 (Blue) Ring Terminal - 20 Pk
T1038C	10-12 Wire Insulated 1/4" (Blue) Ring Terminal - 100 Pk
T1038P	10-12 Wire Insulated 1/4" (Blue) Ring Terminal - 20 Pk
T2065C	#8 Wire Insulated (Blue) 1/4" Ring Terminal - 100 Pk
T2065P	#8 Wire Insulated (Blue) 1/4" Ring Terminal - 15 Pk
T2066C	#6 Wire Insulated (Blue) 1/4" Ring Terminal - 100 Pk
T2066P	#6 Wire Insulated (Blue) 1/4" Ring Terminal - 15 Pk
T1043C	14-16 Wire Insulated (Blue) #8 Flanged Spade Terminal - 100 Pk
T1043P	14-16 Wire Insulated (Blue) #8 Flanged Spade Terminal - 20 Pk
T1046C	12-10 Wire Insulated (Yellow) #10 Flanged Spade Terminal - 100 Pk
T1046P	12-10 Wire Insulated (Yellow) #10 Flanged Spade Terminal - 15 Pk
T1051C	18-22 Wire Butt Connector Red - 100 Pk
T1051P	18-22 Wire Butt Connector Red - 20 Pk
T1052C	14-16 Wire Butt Connector Blue - 100 Pk
T1052P	14-16 Wire Butt Connector Blue - 20 Pk
T1053C	10-12 Wire Butt Connector Yellow - 100 Pk
T1053P	10-12 Wire Butt Connector Yellow - 20 Pk
T1056C	18-22 Wire Bell Connector Small - 100 Pk
T1056P	18-22 Wire Bell Connector Small - 20 Pk
T1057C	14-16 Wire Bell Connector Medium - 100 Pk
T1057P	14-16 Wire Bell Connector Medium - 15 Pk
T1058C	10-12 Wire Bell Connector Large - 100 Pk
T1058P	10-12 Wire Bell Connector Large - 15 Pk
T1105C	10-12 Wire Non-Insulated 1/4" QC Female Flag Terminal - 100 Pk
T1105P	10-12 Wire Non-Insulated 1/4" QC Female Flag Terminal - 15 Pk
T2103C	14-16 Wire High Heat Non-Insulated 1/4" QC Male Tab Terminal - 100 Pk
T2103P	14-16 Wire High Heat Non-Insulated 1/4" QC Male Tab Terminal - 15 Pk
T1113C	14-16 Wire High Heat Non-Insulated 1/4" QC Female Flag Terminal - 100 Pk
T1113P	14-16 Wire High Heat Non-Insulated 1/4" QC Female Flag Terminal - 20 Pk
T1114C	10-12 Wire High Heat Non-Insulated 1/4" QC Female Flag Terminal - 100 Pk
T1114P	10-12 Wire High Heat Non-Insulated 1/4" QC Female Flag Terminal - 20 Pk

TERMINALS

	SKU	Description
	T1107C	18-22 Wire Non-Insulated 7/64" QC Female Terminal - 100 Pk
	T1107P	18-22 Wire Non-Insulated 7/64" QC Female Terminal - 20 Pk
	T1111C	14-16 Wire High Heat Non-Insulated 1/4" QC Female Terminal - 100 Pk
	T1111P	14-16 Wire High Heat Non-Insulated 1/4" QC Female Terminal - 20 Pk
	T1112C	10-12 Wire High Heat Non-Insulated 1/4" QC Female Terminal - 100 Pk
	T1112P	10-12 Wire High Heat Non-Insulated 1/4" QC Female Terminal - 15 Pk
	T1115C	14-16 Wire Non-Insulated High Heat #10 Ring - 100 Pk
	T1115P	14-16 Wire Non-Insulated High Heat #10 Ring - 20 Pk
	T1116C	14-16 Wire Non-Insulated High Heat 1/4" Ring - 100 Pk
	T1116P	14-16 Wire Non-Insulated High Heat 1/4" Ring - 20 Pk
	T1117C	10-12 Wire Non-Insulated High Heat #10 Ring - 100 Pk
	T1117P	10-12 Wire Non-Insulated High Heat #10 Ring - 20 Pk
	T1118C	10-12 Wire Non-Insulated High Heat 1/4" Ring - 100 Pk
	T1118P	10-12 Wire Non-Insulated High Heat 1/4" Ring - 20 Pk
	T1119C	18-22 Wire Non-Insulated Butt Connector - 100 Pk
	T1119P	18-22 Wire Non-Insulated Butt Connector - 20 Pk
	T2111C	14-16 Wire Non-Insulated Butt Connector - 100 Pk
	T2111P	14-16 Wire Non-Insulated Butt Connector - 20 Pk
	T2112C	10-12 Wire Non-Insulated Butt Connector - 100 Pk
	T2112P	10-12 Wire Non-Insulated Butt Connector - 15 Pk
	T1121C	2 Male X 1 Female 1/4" Chair Terminal - 100 Pk
	T1121P	2 Male X 1 Female 1/4" Chair Terminal - 10 Pk
	T1122C	2 Male X 1 Female 1/4" Male Splitter Terminal - 100 Pk
	T1122P	2 Male X 1 Female 1/4" Male Splitter Terminal - 10 Pk
	T1123C	#10 Stud to 1/4" Male Spade Terminal -100 Pk
	T1123P	#10 Stud to 1/4" Male Spade Terminal -10 Pk
	T1124C	1/4" Female QC Adapts 1/4" Male Spade to Screw Terminal -100 Pk
	T1124P	1/4" Female QC Adapts 1/4" Male Spade to Screw Terminal -10 Pk
	T1125C	(1) 1/4" Female Piggy Back + (2) 1/4" Male Spade -100 Pk
	T1125P	(1) 1/4" Female Piggy Back + (2) 1/4" Male Spade -10 Pk
	T1129C	8-12 Wire Non-Insulated Compressor Terminal 1/4" Female QC - 100 Pk
	T1129P	8-12 Wire Non-Insulated Compressor Terminal 1/4" Female QC - 10 Pk
	T1130C	14-16 Wire Non-Insulated Compressor Terminal 1/4" Female QC - 100 Pk
	T1130P	14-16 Wire Non-Insulated Compressor Terminal 1/4" Female QC - 10 Pk
	T1150C	Medium Wire Connector With Spring Insert - Blue - 100 Pk
	T1150P	Medium Wire Connector With Spring Insert - Blue - 20 Pk
	T1151C	Medium/Large Wire Connector With Spring Insert - Orange - 100 Pk
	T1151P	Medium/Large Wire Connector With Spring Insert - Orange - 15 Pk
	T1152C	Large Wire Connector With Spring Insert - Yellow - 100 Pk
	T1152P	Large Wire Connector With Spring Insert - Yellow - 15 Pk
	T1153C	Extra-Large Wire Connector With Spring Insert - Red - 100 Pk
	T1153P	Extra-Large Wire Connector With Spring Insert - Red - 10 Pk
	T1164C	Small Porcelain Wire Connector - 100 Pk
	T1164P	Small Porcelain Wire Connector - 15 Pk
	T1165C	Medium Porcelain Wire Connector - 100 Pk
	T1165P	Medium Porcelain Wire Connector - 15 Pk
	T1166C	Winged Wire Connector - Yellow - 100 Pk
	T1166P	Winged Wire Connector - Yellow - 15 Pk
	T1167C	Winged Wire Connector - Red - 100 Pk
	T1167P	Winged Wire Connector - Red - 15 Pk
	T1168C	Winged Wire Connector - Grey - 100 Pk
	T1168P	Winged Wire Connector - Grey - 10 Pk

A/C EVAPORATORS

“A” COIL UPFLOW



- Antimicrobial Additive Resists Mold and Mildew Growth
- High Temperature Polymer UV Resistant Pan
- External Mounted Flator Metering Device
- Foil faced Insulation
- Rifled Tubing
- Left & Right Hand Service Available
- The Fitting Access Direction is Indicated with L or R at end of the Part Number (Right is also available)
- Enhanced Fin Design
- Five (5) Year Warranty

R410A 13 SEER COMPATIBLE EVAPORATORS (PISTON)

13 SEER UNCASED

Dimensions



BTU	<u>Steel Coil</u>	W	D	H
24,000	13U24-4L	13"	19½"	11"
30,000	13U30-4L	13"	19½"	13"
36,000	13U36-4L	14"	19½"	15"
42,000	13U42-4L	15½"	19½"	19"
48,000	13U48-4L	17"	19½"	21"
60,000	13U60-4L	20"	19½"	25"

13 SEER CASED

Dimensions



BTU	<u>Model No.</u>	W	D	H
24,000	13C24-4L	14½"	20½"	16½"
30,000	13C30-4L	17½"	20½"	16½"
36,000	13C36-4L	17½"	20½"	16½"
42,000	13C42-4L	21"	20½"	20½"
48,000	13C48-4L	21"	20½"	22½"
60,000	13C60-4L	24½"	20½"	25½"

* The Fitting Access Direction is Indicated with L or R at end of the Part Number (Right is also available)

EVAPORATOR COILS FOR MANUFACTURED HOUSING

- Sloped drain pan for lower water retention
- 5 year warranty on “MH” series coils
- Downflow drip shields are molded into drain pan
- Down-turned headers for easy lineset adaption
- R22 orifice factory installed. R410A compatible

Tonnage	<u>Model</u>	W	D	H
2.5 - 3	MH36	18"	19½"	15"
3.5 - 4	MH48	18"	19½"	19"



A/C EVAPORATORS

13 SEER COPPER HORIZONTAL COILS

Side refrigerant service, bi-flow airflow, dual drains on either side with R-410A Piston & threaded TXV access port

- Rifled Copper Tubing
- Short Cabinet with Easy Access
- Lanced Fin Design
- Dual 3/4" FPT condensate drains on front and back of coil allows placement to accommodate left or right airflow furnaces
- Side panel with only six screw for fast and easy coil access
- Refrigerant connections are 3/8" ODF liquid and 7/8" ODF suction
- Non-captive panels allow access to inside of cabinet without the need to cut refrigerant lines

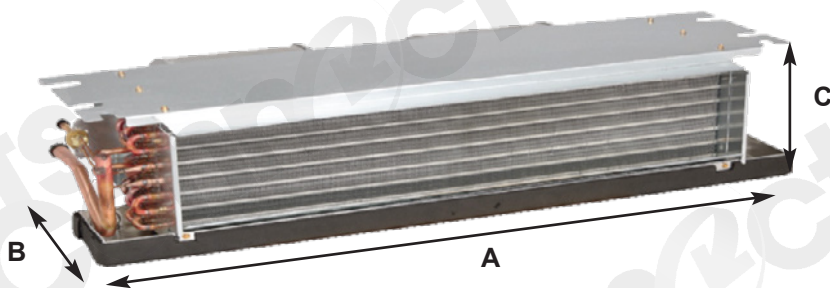


BTU	Model No.	W	D	H	Piston
24,000	13H24S14	14 $\frac{1}{4}$ "	21 $\frac{1}{2}$ "	21 $\frac{1}{2}$ "	53
36,000	13H36S14	14 $\frac{1}{4}$ "	21 $\frac{1}{2}$ "	26 $\frac{1}{2}$ "	67
36,000	13H36S17	17 $\frac{1}{2}$ "	21 $\frac{1}{2}$ "	26 $\frac{1}{2}$ "	67
48,000	13H48S17	17 $\frac{1}{2}$ "	21 $\frac{1}{2}$ "	26 $\frac{1}{2}$ "	76
48,000	13H48S21	21"	21 $\frac{1}{2}$ "	26 $\frac{1}{2}$ "	76
60,000	13H60S21	21"	21 $\frac{1}{2}$ "	26 $\frac{1}{2}$ "	93
60,000	13H60S24	24 $\frac{1}{2}$ "	21 $\frac{1}{2}$ "	26 $\frac{1}{2}$ "	93

FUR DOWN COILS

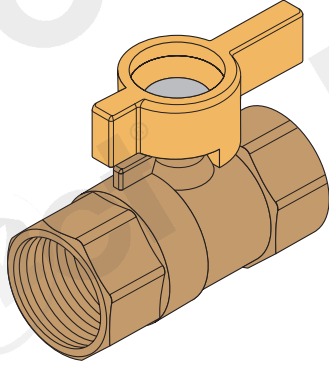
2 Speed PSC Airflow (CFM) vs. External Static Pressure (inches W.C.)

Model	Heat	A	B	C	Blower	0.1	0.2	0.3	0.4	0.5
AH18FDNH	NA	37"	19.5"	10.5"	Low	610	536	468	392	316
AH18FD05	5kw				High	680	607	532	456	368
AH23FDNH	NA	37"	19.5"	10.5"	Low	846	777	702	627	546
AH23FD05	5kw				High	902	830	755	667	589
AH24FDNH	NA	43"	20.5"	10.5"	Low	833	781	725	658	580
AH24FD05	5kw				High	1039	976	903	825	728
AH30FDNH	NA	49"	20.5"	10.5"	Low	839	771	706	644	553
AH30FD08	8kw				High	1050	975	900	820	744



AH**FNDH - fur down AH with no heat
 AH***05 - 5kw heat with pull disconnect
 AH***08 - 8kw heat with pull disconnect

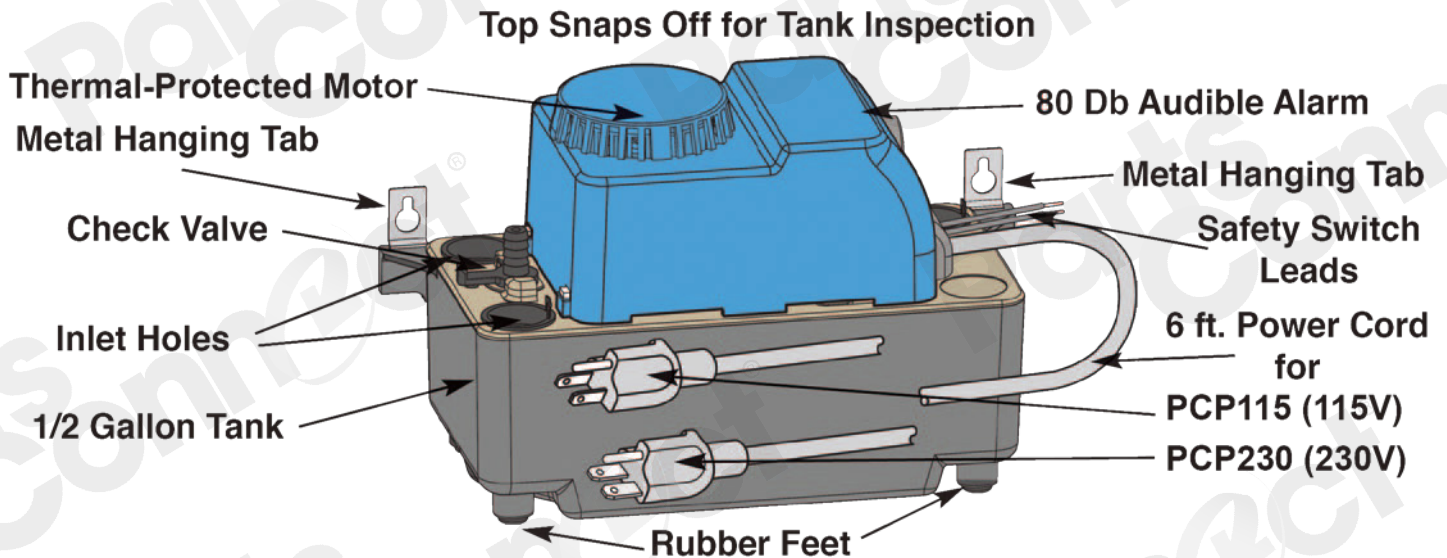
GAS CONNECTORS & FITTINGS



BRASS GAS COCK

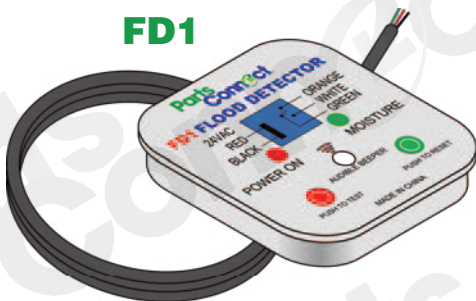
Part No.	FIP x FIP
GC12	1/2" x 1/2"
GC34	3/4" x 3/4"

CONDENSATE PUMP WITH AUDIBLE ALARM MAXIMUM WORK LIFT 20 GPH TO 20 FT.



Part No.	Volts	Amps	HP	Flow Rate Capacity (GPH) at						
				1ft	5ft	10ft	15ft	20ft	22ft	24ft
PCP115	115	1.5	1/10	99	87	69	48	20	10	0
PCP230	230	0.8	1/10	96	83	64	42	12	2	0

FD1



FLOOD DETECTOR WITH AUDIBLE ALARM

A solid state device designed to detect the presence of condensate water overflow. Upon sensing moisture, the audible alarm will sound, and will turn the system off to help prevent damage to carpets, walls, woodwork, ceilings and other property. The area to be monitored can be enlarged by connecting one or more FD1 Flood Detectors in series.

MINI SPLIT CONDENSATE PUMPS

DE05LUB100 Mini Flowwatch (120 V) or DE05LUB110 Mini Flowwatch 2 (240 V)

Compact, silent (< 21 dBA) condensate pump for small to medium air conditioning systems (up to 42K BTU). 3 wire installation with easy connect/disconnect features. Long life, piston style pump with alarm and NO/NC safety switch.

- Silent operation, less than 21 dBA
- Optional mounting kit GC1KFX2010
- CE / ETL Listed / CSA certified
- 2 year warranty
- High quality, manufactured to ISO9001 standards
- Small size and easy installation
- NO/NC safety switch shuts system down in event of overflow
- Alarm sounds for overflow condition
- Thermal protection to prevent overheating
- Waterproof connections prevents water ingress
- Piston pump provides long life



DE05LUE020 Mini Flowwatch Vision Univolt

A compact, wall-mounted condensate removal pump designed for air conditioning systems. Its versatile design allows for four installation configurations: horizontally or vertically, on either side of the air conditioner

- Flexible Installation
- Compact Design
- Quiet Operation
- Easy Maintenance
- Removable Filter
- Maximum Flow Rate: 15 liters per hour (4 gallons per hour)
- Maximum Discharge Head: 10 meters (33 feet)
- Electrical Power: 19 W
- Voltage: Univolt 100-250V, 50/60Hz
- Alarm Contacts: NO/NC
- Protection Rating: IP20
- Thermal Protection: Yes
- Operating Cycle: 70%
- Power/Alarm Cable Length: 1.4 meters (4.59 feet)
- Certifications: ETL



SECOP COMPRESSORS

The Secop range of hermetic reciprocating compressors packs a mighty punch in a small package. Compact design, efficient motors and low energy consumption are the main features in hermetic compressors that build on over 50 years of reliability and quality.

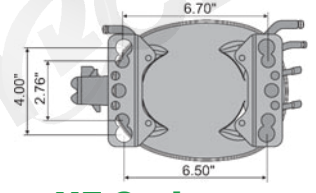
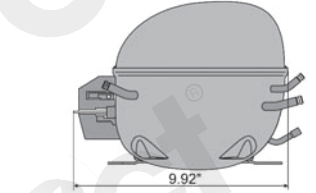
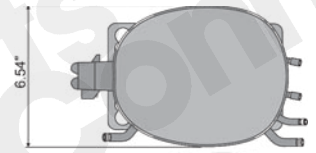
This chart contains information on Secop hermetic refrigeration compressors for fixed voltages ranging from 115 V to 240 V.

All of the compressor types are designed for refrigeration systems using the designated refrigerants listed below.

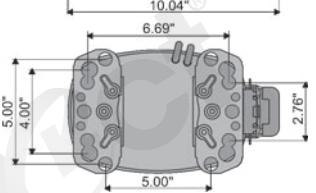
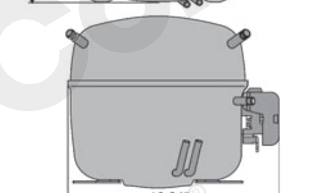
<u>Part No.</u>	<u>Capacity*</u>	<u>HP</u>	<u>Volts</u>	<u>H</u>	<u>Cross Reference</u>
<u>R134A Models</u>					
KLE4-8CFHX	477 LBP				EMI45HER AEA1338XYA
	1790 HBP	1/8	115	6.81"	EMI45HHR AEA3417YXA TFS4.5FT
KLE6-6CFHX	722 LBP				FF8.5HBK AEA1360YXA
	2796 HBP	1/5	115	7.76"	FF7.5HBK AEA3425YXA NF6.1FX.2
KLE7-7CFHX	894 LBP	1/4	115	7.76"	FF10HBK NF7.3FX.2
	3341 HBP				FF8.5HBK AEA4431YXA
NF8-4FX-2	1032 LBP				NE2121Z AEA2410YXA
	3767 HBP	1/4	115	7.76"	FF10HBX AEA4430YXA
NF11FX	1101 LBP				NE2121Z AEA2410YXA
	4164 HBP	1/3	115	8"	NEK6187Z AEA4440YXA
NF11FX-2	1250 LBP	1/4+	115	8"	FFI12HBX AEA2413YXA
	4840 HBP	1/3+	115	8"	NE6210Z AEA4448YXA
SC15G	5606 HBP	1/2	115	8.23"	NT6213Z AEA4450YXA
SC18G	6291 HBP	1/2+	115	8.62"	NT6215Z AEA4460YXA
SC21G	1516 LBP	2/5+	198	8.62"	~ AKA4476YXD
<u>R404A Models</u>					
NF5-5CLX	1250 LBP				NEK2121GK AEA2411ZXA
	3740 HBP	1/3	115	7.76"	NE6131GK AE4440Z
NF7CLX	1545 LBP				NEK2125GK AEA2411ZXA
	4760 HBP	1/3+	115	8"	NE6120GK AKA9438ZXA
SC10CL	1424 LBP	1/3	115	8.23"	NEK2134GK AEA2419ZXA
SC12CL	2382 LBP	1/2	115	8.23"	NEK2150GK AEA2425ZXA
SC12CLX-2	2472 LBP	1/2	115	8.23"	NT2168GKV AEA2425ZXA
SC15CLX-2	3011 LBP	3/4	115	8.62"	NT2178GKV AJB2433ZXA
SC15CLX-2-2	3011 LBP	3/4	240	8.62"	NT2178GKV AJB2433ZXA
SC18CLX-2-2	3666 LBP	3/4	240	8.62"	NT2180GKV AJB2444ZXD
SC12MLX	7909 HBP	1/2+	115	8.62"	NT6220GKV AKA9455ZXA
SC12MLX-2	7909 HBP	1/2+	240	8.62"	NT6217GKV AJA7455ZXD
SC15MLX	9433 HBP	3/4	115	8.62"	NT6222GKV AJE513ZHZ
SC15MLX-2	9433 HBP	3/4	240	8.62"	NT6222GKV AJE513ZHD1
SC18MLX	11135 HBP	1	115	8.62"	NT6224GKV ~
SC18MLX-2	11135 HBP	1	240	8.62"	NT6224GKV AJA7490ZXD

*Capacity BTU/Hr. @ LBP @ -10°F, HBP @ 45°F

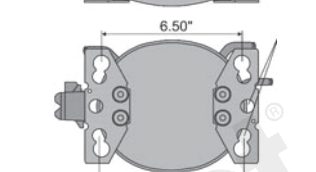
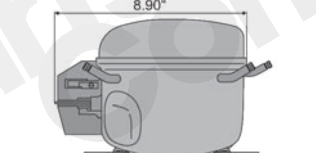
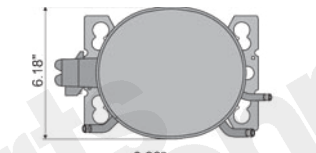
SECOP



NF Series



SC Series



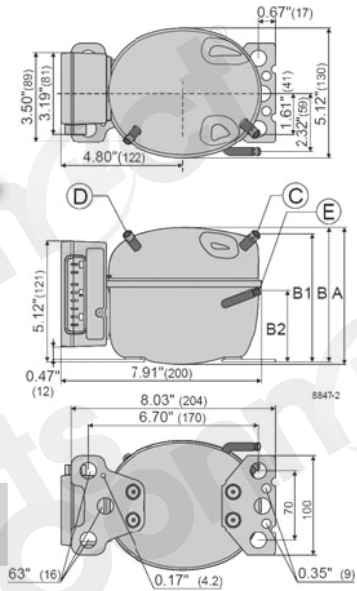
TF Series

SECOP COMPRESSORS

BD compressors are direct current (DC) compressors for 12/24 V DC power supply. Can be used in mobile refrigerators and freezers using R134a refrigerant. Used for transportation of items from 0°F - 46°F. For Cooling boxes from 18 - 150 liters.

Designed to meet harsh road conditions of a chassis mounted refrigerator. They are unsurpassed in their ability to tolerate changeable climatic conditions and vibrations. Also used in equipment to transport medicines, vaccines, blood plasma and organs.

The electronic unit is mounted on the compressor, no additional mounting is required.



**Direct Current Compressor R134a, 12/24V DC
-30°C, +10°C Evap. Temp. Controller Included**

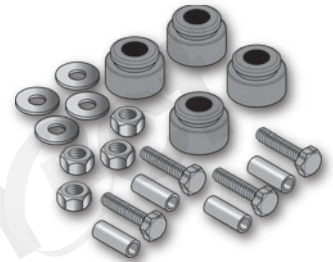
Part No.	Application	Cooling Capacity	H	Cross Reference
BD35FHD2	LBP/MBP/HBP	15 - 140 W 51.15 - 277.4 BTU/Hr	5.39"	101Z0205
BD50F	LBP/MBP/HBP	20 - 190 W 68.2 - 647.9 BTU/Hr	5.39"	101Z0203

CONTROLLERS for BD35F/BD50F & MOUNTING KIT



Part No.	Description
101N0242	BD35/50F Controller
101N0420	Solar Controller
101N0510	AC/DC Controller

**118-1949
Mounting Kit**

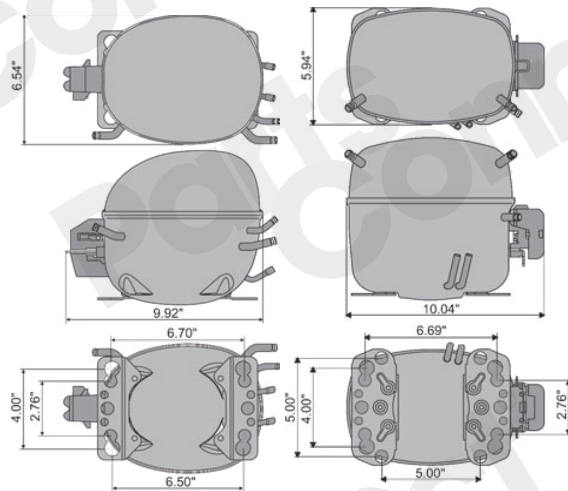


SECOP

COMPRESSORS for MANITOWOC

Part No.	Capacity*	HP	Voltage	Cross Reference
NF7CLX-1	1545 LBP	1/3+	115V	7601323, 8251193
SC15MLX-1	9433 HBP	3/4	115V	000002206
SC15MLX-2	9433 HBP	3/4	230V	000002207
SC18MLX-1	11135 HBP	1	115V	8253493

All above use R404a refrigerant



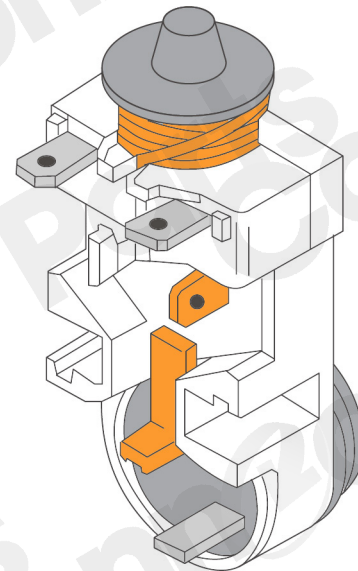
NF Series

SC Series

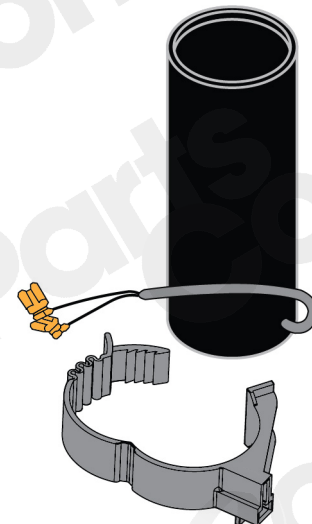
SECOP COMPRESSOR COMPONENTS

Model	Voltage	Relay or Start Device	Capacitor or Start Device
TF4CLX	115/60	117U4148	117U5025
TFS4.5CLX	115/60	117U4148	117U5025
KLE4.8GFHX	115/60	117U7082	117U5002
KLE4.0GFMX	115/60	117U7081	117U5002
NF5.5CLX	115/60	117U4061	117U5025
NF5.5FX	115/60	117U4127	117U5025
PC660L (NF6FK)	115/60	117U4132	117U5022
NF6.1FX.2	115/60	117U4127	117U5025
NF7CLX	115/60	117U4129	117U5022
PC836L (NF7FK)	115/60	117U4132	117U5022
NF7.3FX.2	115/60	117U4061	117U5025
NF8.4FX.2	115/60	117U4129	117U5025
PC990L (NF9FX)	115/60	117U4129	117U5025
NF11FX	115/60	117U4123	117U5028
NF11FX.2	115/60	117U4151	117U5028
SC10CL	115/60	117U6020	117U5023
SC12CL	115/60	117U6020	117U5023
SC12CLX.2	115/60	117U6020	117U5023
SC12MLX	115/60	117-7053	--
SC12MLX.2	220/50-60	117U6011	117U5017
SC15CLX.2	115/60	117-7053	--
SC15CLX.2	220/60	117-7039	--
SC15G	115/60	117U6020	117U5023
SC15MLX	115/60	117-7053	--
SC15MLX.2	220/60	117-7053	--
SC18CLX.2	115/60	117-7045	--
SC18CLX.2	220/60	117-7066	--
SC18G	115/60	117-7441	117U5042
SC18MLX	115/60	117-7045	--
SC18MLX	220/60	117-7066	--
R290 Compressors		CSCR	CSIR
KLF4.0CNH	115/60	117U7074	117U5002
KLF4.8CNH	115/60	117U7072	117U5002
KLF5.6CNH	115/60	117U7075	117U5002
KLF6.6CNH	115/60	117U7076	117U5002
KLF7.7CNH		117U7078	117U5002
NLE8.0CN	115/60	117U7014	117U5073
NLE8.8CN	115/60	117U7013	117U5025
NLE11CNL	115/60	117U7020	117U5039
NLE11MN	115/60	117U7020	117U5073
SCE15CNX	115/60	117-7801	117-7802
SCE15MNX	115/60	117-7801	117-7802
SCE18CNLX	115/60	117-7801	
SCE18MNX	115/60	117-7805	117-7803
SCE21CNXL	115/60	117-7809	
SCE15CNLX-230 CSCR	230/60	117-7808	
SCE15CNLX-230 CSIR	230/60	117U7413	117U5076
SCE15MNX-230 CSCR	230/60	117-7809	
SCE15MNX-230 CSIR	230/60	117U7401	117U5076
SCE18CNLX-230 CSCR	230/60	117-7809	
SCE18CNLX-230 CSIR	230/60	117U7413	117U5076
SCE18MNX-230 CSCR	230/60	117-7807	
SCE18MNX-230 CSIR	230/60	117U7412	117U5076
SCE21CNLX-230 CSCR	230/60	117-7811	
SCE21CNLX-230 CSIR	230/60	117U7407	117U5076

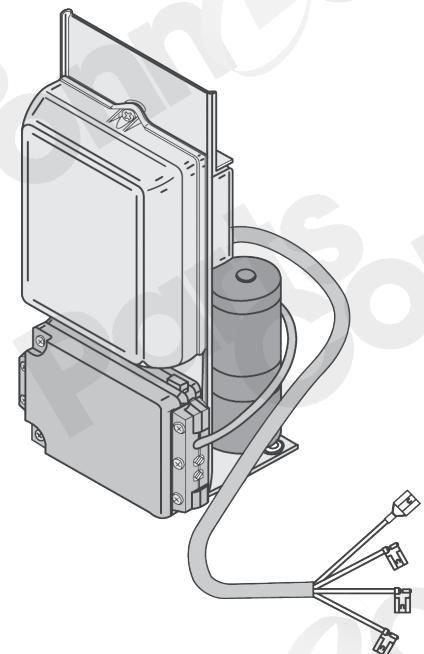
Relay



Capacitor



Start Device



SCROLL & ROTARY COMPRESSORS

BSONYO SCROLL COMPRESSORS

R410A scroll compressors rated at 45° Fahrenheit with a discharge size of 1/2 in and a return size of 7/8 in. Compatible to replace a Copeland compressor. Comes with a 18 in, 10 gauge compressor wire harness kit.



Model	Capacitor	Copeland Cross Reference	LG Cross Reference	Nidec / Embraco Cross Reference	BTU	Phase	Volts
SBP105H16A	60-440	ZP36K5E-PFV FP ZP37LXEPFV800	MP ABG036KACS	EAF36H-C1-NABA	35,826	1	208/230
SBP120H16A	60-440	ZP42K5EPFV830 FP ZP42LXEPFV800	MP ABG042KACS	EAF42H-C1-NABA	41,285	1	208/230
SBP140H16A	60-440	ZP49K5EPFV830 ZP51K5EPFV830 FP ZP51LXEPFV800	MP ABG051KACS	EAF49H-C1-NABA	48,792	1	208/230
SBP170H16Y	60-440	FP ZP54K5EPFV830 ZPB1K5E-PFV FP ZP57LXE-PFV-830		EAF61H-C1-NABA	58,004	1	208/230
SBP170H36A	none	ZP54K5ETF5830 ZP57K5ETF5830			59,369	3	208/230/3

ROTARY COMPRESSORS BY GMCC

R410A rotary compressors rated at 45° Fahrenheit with a tubing kit to match the scroll discharge size. These rotary compressors will replace a scroll compressor with the provided kit, capacitor, wiring, feet and bolts, and preformed tubing and fittings.

Model	Capacitor	Copeland Cross Reference	BTU	Discharge	Return	Volts
ASF200N1UKP	55-440	ZP20K5EPFV830	20,700	3/8 in 9.8 mm	1/2 in 12.9 mm	208/230
KSF210N1VETB3	60-440	ZP24K5EPFV830	R32-27,200 R410A-25,000	5/16 in 8.1 mm	1/2 in 12.9 mm	208/230
ASG300N1UMT	60-440	ZP29K5EPFV830	30,500	3/8 in 9.8 mm	5/8 in 16.2 mm	208/230
ASQ330N1UMU	60-440	ZP36K5EPFV830	34,070	3/8 in 9.8 mm	5/8 in 16.2 mm	208/230

Additional piping kits, available separately, include custom copper tubing and fittings, PC02984-3 wire kit, 1/4" flat washer (qty: 2), 12 - 14 x 2-1/2" sheet metal screw (qty: 2).



← Replace This Scroll Compressor With

This Rotary Compressor With The Provided Re-Piping Kit In The Box →

PartsConnect

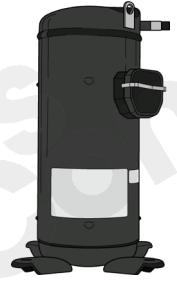


The units below are replacements for PTAC units, mini-splits, and window units.

Model	Capacitor	BTU	Discharge	Return	Volts
KSM106E2UDZK	70-370	11225 R32 / 12607 R410A	5/16 in	3/8 in	115
KSM106N1VDZK	35-370	13341 R32 / 13546 R410A	5/16 in	3/8 in	240
KSM113N1UDZ	40-370	11533 R32 / 11601 R410A	5/16 in	3/8 in	208-230

R22 COMPRESSORS

BSONYO SCROLL COMPRESSORS



Order No.	Capacitor	Copeland Cross Reference	LG Cross Reference	Nidec / Embraco Cross Reference	BTU	Tons	Phase	Volts
SB263H6C		ZR38K5ETF5830			37,200	3.1	3	208/230
SB303H6B		ZR48K5ETF5830			48,000	4	3	208/230
SB373H6A		ZR61K3ETF5830	SR061RBZ		60,000	5	3	208/230
SBR120H16A	50/440	ZR421G3-PFV FP ZR42K5EPFV830	SQA042KAZ	EAF42E-C1-NABA	41,300	3.5	1	208/230
SBR145H16A	50/440	ZR48K3-PFV FP ZR48K5EPFV830 ZR541G3-PFV FP ZR54K5EPFV830	SR047KBZ SRA053KAZ	EAF49E-C1-NABA EAF54E-C1-NABA	49,500	4	1	208/230
SBR180H16A	80/440				60,000	5	1	208/230
SC583H6H		ZR94KCE-TF5-950			95,195	8	3	208/230
SC753H6H		ZR125KCE-TF5-950			126,244	10.5	3	208/230

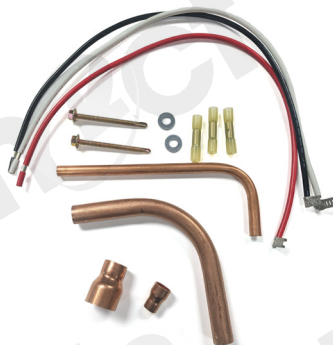
Each scroll compressor comes with instructions, PC02985-3 18" wire harness with rings, feet, 4 5/16" flat washers, 4 5/16"-18 x 2-1/2" bolts.

GMCC ROTARY COMPRESSORS

These rotary compressors will replace a scroll compressor with the provided kit.

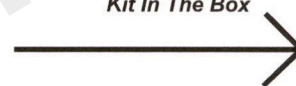
Order No.	Capacitor	BTU	Phase	Volts	Piping Kit	Copeland Cross Reference	LG Cross Reference	Nidec / Embraco Cross Reference
PH260M2AS-3KTU1	40/370	19,192	1	208/230	CKASF200	ZR18K5EPFV830 ZR21K5EPFV830		
PH330G2C-3MUU1	55/440	24,000	1	208/230	CKASG300	ZR24K5EPFV830 ZR26K5EPFV830	SQA026KAZ	EAF25E-C1-NABA
PH401X3CS-3MUU	60/440	30,000	1	208/230	CKASG300	ZR32K5EPFV830	SQA032KAZ	EAF32E-C1-NABA

Additional piping kits, available separately, include custom copper tubing and fittings, PC02984-3 wire kit, 1/4" flat washer (qty: 2), 12 - 14 x 2-1/2" sheet metal screw (qty: 2).



← Replace This Scroll Compressor With

This Rotary Compressor With The Provided Piping Kit In The Box



EMBRACO SCROLL COMPRESSORS FOR AIR CONDITIONING REPLACEMENT

R22

Order No.	BTUs	Tons	Volts	Capacitor	Height	LG Cross Reference	Copeland Cross Reference
EA22E-C1-NABA	21,172	1.7	208-230	50/440	16.25"	SQA022KAZ	ZR221G3-PFV ZR21K5EPFV830
EA25E-C1-NABA	26,041	2	208-230	60/440	16.25"	SQA026KAZ	ZR261Qi-PFV ZR25K5EPFV830
EA32E-C1-NABA	31,126	2.6	208-230	70/440	16.25"	SQA032KAZ	ZR321C5-PFV ZR32K5EPFV830
EA36E-C1-NABA	35,984	3	208-230	70/440	16.25"	SQA038KAZ	ZR361G3-PFV ZR38K5EPFV830
EA42E-C1-NABA	40,130	3.5	208-230	100/440 (included)	16.25"	SQA042KAZ	ZR421G3-PFV ZR42K5EPFV830
EA49E-C1-NABA	46,388	4	208-230	100/440 (included)	16.25"	SR047KBZ	ZR48K3-PFV ZR48K5EPFV830
EA54E-C1-NABA	51,093	4.5	208-230	100/440 (included)	16.25"	SRA053KAZ	ZR541G3-PFV ZR54K5EPFV830
EA61E-C1-NABA	56,935	5	208-230	100/440 (included)	16.25"	SR057KCZ	ZRBIKO-PFV ZR57KCEPFV950



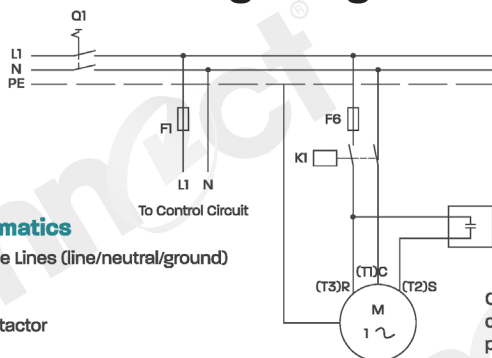
R410A

Order No.	BTUs	Tons	Volts	Capacitor	Height	LG Cross Reference	Copeland Cross Reference
EA22H-C1-NABA	22,428	1.7	208-230	50/440	16.25"	APG020KACS	ZP22KBE-PFV ZP21LXEFPV800
EA25H-C1-NABA	25,165	2	208-230	60/440	16.25"	APG024KBCS	ZP25K5E-PFV ZP25LXEFPV800
EA32H-C1-NABA	30,426	2.6	208-230	70/440	16.25"	APG031KACS	ZP31K6E-PFV ZP31LXEFPV800
EA36H-C1-NABA	37,104	3	208-230	70/440	16.25"	ABG036KACS	ZP36K5E-PFV ZP37LXEFPV800
EA42H-C1-NABA	43,051	3.5	208-230	100/440 (included)	16.25"	ABG042KACS	ZP42K5E-PFV ZP42LXEFPV800
EA49H-C1-NABA	49,200	4	208-230	100/440 (included)	16.25"	ABG051KACS	ZP49K5E-PFV ZP51LXEFPV800
EA54H-C1-NABA	54,158	4.5	208-230	100/440 (included)	16.25"	ABA054KAA	ZP54K5E-PFV ZP51LXEFPV801
EA61H-C1-NABA	61,869	5	208-230	100/440 (included)	16.25"		ZPB1K5E-PFV ZP57LXE-PFV-830

50/60/70µF capacitors not included. Must be supplied by the wholesaler using compressor specifications. 100µF capacitor included with compressors. Compressors take PC02985-3 wire harness.

Standard Spare Parts: Supplied with Compressors

Wiring Diagram



Electrical Schematics

L1/N/PE: Single Phase Lines (line/neutral/ground)
 Q1: Manual Switch
 F1/F6: Fuse
 K1: Compressor Contactor
 C1: Run Capacitor
 M: Compressor Motor
 R/C/S: Compressor Terminal

Part Name	Quantity	Picture
E-box	1	
T terminal	1	
Grommets	4	
Sleeves	4	
Re-piping kit*	1	

*Specific re-pipe kit for each compressor replacement

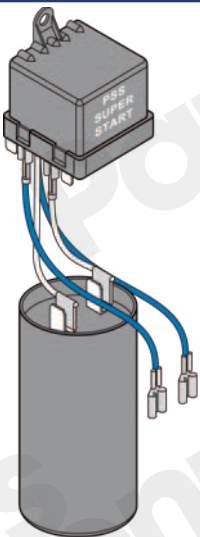
HARD START KITS & START RELAYS

START ASSIST Relay & Hard Start Capacitor

For systems with capillary tubes or fixed restrictors, a Positive Temperature Coefficient (PTC) hard start device is recommended. For applications where a backup safety timer is desired, use the PSA8 Electronic Potential Relay and Hard Start Kit.



Part No.	Replaces	HP Range	Boost	Voltage
Positive Temperature Coefficient (PTC) Hard Starts				
PSA5	SPP5	1/2 - 10hp	300%	120V - 288V
PSA6	SPP6	1/2 - 10hp	500%	90V - 277V
PSA7	SPP7S	1½ - 10hp	600%	115V - 288V
Electronic Relay & Hard Start Capacitor				
PSA8	SPP8E	1/2 - 5hp	189-227µF	170V - 288V



THE ULTRA SERIES 2-WIRE MECHANICAL POTENTIAL RELAY & HARD START KIT

For use on all Single Phase Reciprocating, Scroll and Rotary compressors; 208V, 230V & 265V

- OEM Approved Technology
- Voltage Sensing
- Easy 2-wire installation
- Instant Restart

Part No.	Application	Replaces
PSS5	1 to 3 hp	Kickstart TO-5, MPR5
PSS1	3.5 to 5 hp	Kickstart KS-1, MPR1

3-n-1 Complete Start Series • Relay-Start Capacitor-Overload

A must have for truck stock - reduce callbacks - replace 1/12 to 1/2 hp.

Features

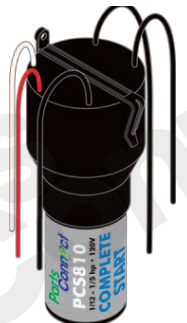
- Replaces relay, capacitor and overload for one low price
- Completely pre-wired, simply push on 3 female pin terminals
- "Push-on" compressor terminals, and 1/4" capacitor terminals
- Designed for modern high efficiency compressors
- Helps older compressors to start and run cooler
- Easy mount clip for quick installation
- Prevents low voltage starting problems
- Easy to read instructions

Applications

- Domestic Refrigerator Compressors to 1/2 hp
- Light Commercial Refrigeration Compressors to 1/2 hp
- Works on "RSIR", "CSIR", "PSC", & "CSR" compressors



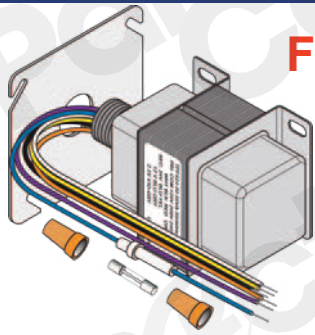
115 Volt Systems
WITH or
WITHOUT Run
Capacitor



Part No.	HP	RLA	Replaces
PCS210	1/3 - 1/2 HP	12a	URCO210, TQS21, 600-210
PCS410	1/4 - 1/3 HP	6a	URCO410, RCO410, ERPU410, ERP410, 600-410, WRX-4, TQS41, HS41
PCS810	1/12 - 1/5 HP	3.5a	URCO810, RCO810, ERPU810, ERP810, HS81, WRX-8, TQS81, 600-810

TRANSFORMERS

FIT-ALL MULTI-TAP PLATE/FOOT MOUNT



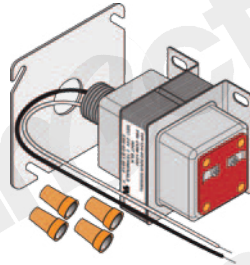
24 VOLT TRANSFORMER WITH 2.5 V GLOW COIL TAP
IDEAL FOR SERVICE TRUCK STOCK

- HAS PRIMARY TAP OPTIONS OF 120, 208, & 240 VAC AND SECONDARY TAPS FOR 24, 12, OR 2.5 VAC
- RATED 50 VOLT-AMPERES MAXIMUM

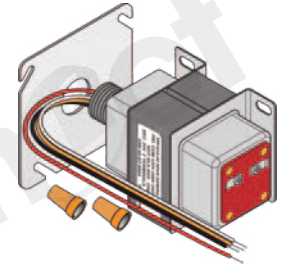
PCTPF424-50

40 VA PLATE/FOOT MOUNT 24V TRANSFORMERS

Primary	Part No.
120	PCTPF124-40
208/240	PCTPF324-40
120/208/240	PCTPF424-40



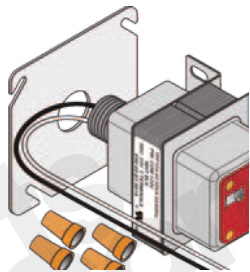
**Parts
Connect**



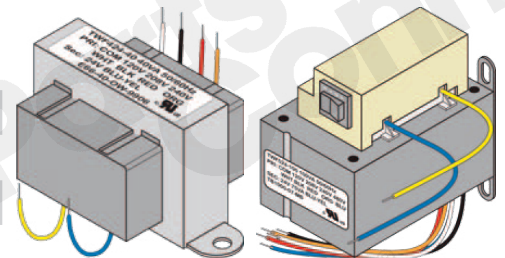
LONG-WAY FOOT-MOUNT FOR SPACE-SAVING INSTALLATIONS

24 VOLT SECONDARY

Mounting



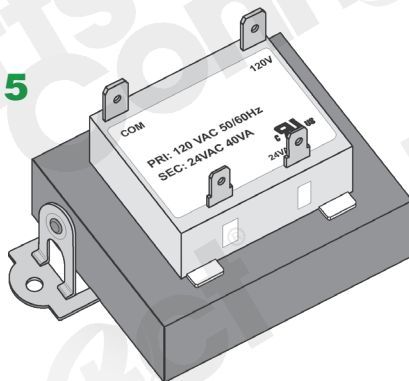
Primary	VA	Holes	Part No.
120	40	3 1/8"	PCTWF124-40
230	40	3 1/8"	PCTWF224-40
120/208/240	40	3 1/8"	PCTWF424-40
120/208/240/480	75	3 1/8"	PCTWF524-75*
120/208/240/480	100	3 1/8"	PCTWF524-100*



*Fused Secondary

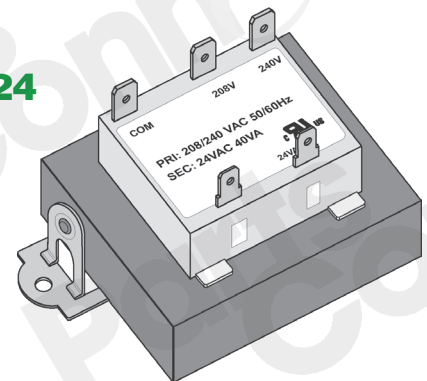
FOOT MOUNT TRANSFORMERS

PC40115



PRIMARY TAP: 120 VAC
SECONDARY TAP: 24 VAC
RATING: 40VA
REPLACES: 0130M00140S, 1170003,
PF40115, STX40115

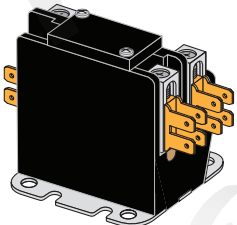
PC40224



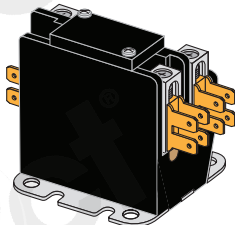
PRIMARY TAP: 208-240 VAC
SECONDARY TAP: 24 VAC
RATING: 40VA
REPLACES: 0130M00138S, PF40224,
STX40224

CONTACTORS

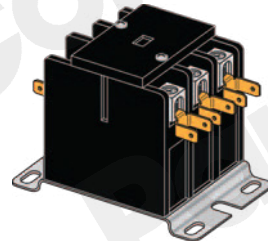
Parts Connect



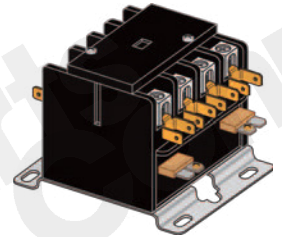
One Pole



Two Pole



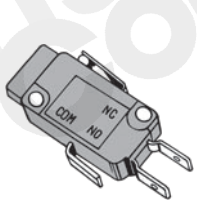
Three Pole



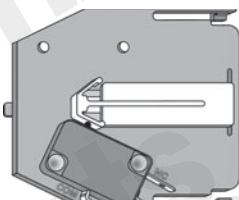
Four Pole

Coil A = 24V	Coil B = 120V	Coil C = 240V	Poles	Full Load	Locked Rotor	Resistive	Auxiliary Switch
PC130A	PC130B	PC130C	1	30	180	50	-
PC140A	PC140B	-	1	40	240	50	-
PC230A	PC230B	PC230C	2	40	240	50	-
PC240A	PC240B	PC240C	2	40	240	50	-
PC340A	PC340B	PC340C	3	40	240	50	-
PC350A	PC350B	PC350C	3	50	300	65	H6S or H7S
PC360A	PC360B	PC360C	3	60	360	75	H6S or H7S
PC375A	PC375B	PC375C	3	75	450	93	H9S
PC390A	PC390B	PC390C	3	90	540	120	H9S
PC440A	PC440B	PC440C	4	40	240	50	H6S or H7S

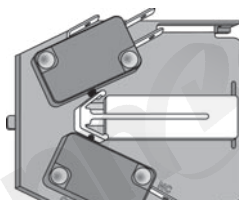
AUXILIARY SWITCHES USED WITH 3 & 4 POLE CONTACTORS



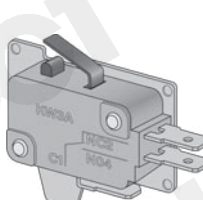
A



B



C



D

Style	Part No.	Type	Amps
B	H6S	SPDT	25-40
C	H7S	DPDT	25-40
A	H8S	SPDT	50-60
D	H9S	SPDT	70-90

- 10 Amp @ 1/3 HP, 125 or 250 VAC.
- 1/2 Amp @ 125 VDC. • 1/4 Amp @ 250 VDC.

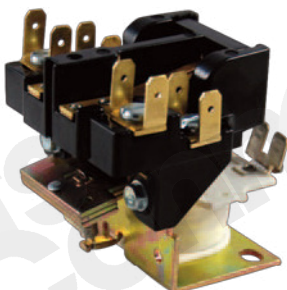
MAGNETIC LINE CONTACTOR

DPST - N.O. 60/50 Hz (90-230,18001, MC11, 3ARR8E4)

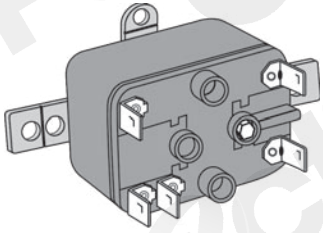
Designed for use in Air Conditioning, Heating/Ventilating Control System, Motor Starting, Heating Element Operation, & Power Supply Control.

Coil 24 Volt • Full Load Amps 30 LRA • 120V Single Phase

PCC18001

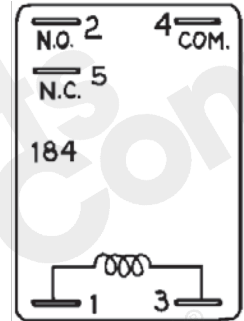


RELAYS & MOTORS

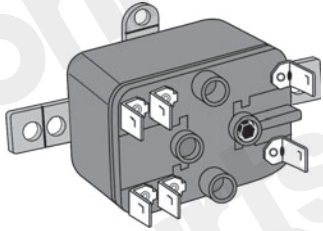


RBM STYLE RELAYS Type 184

Totally enclosed relays for fan motors and many general purpose applications.



184 SERIES
12 AMPS IND.
18 AMPS RES.

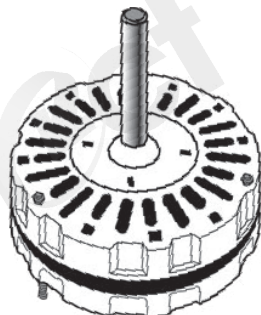
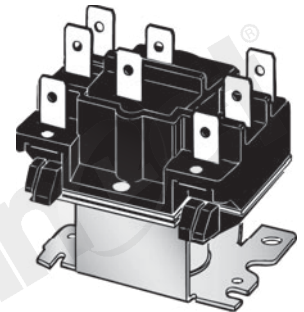


QUICK CONNECT - 1/4" SPADE TERMINALS

Switch	Wires	Coil	Part No.
SPST N.O.	4	24V	PC90-360Q
SPDT	5	24V	PC90-370Q
SPDT	5	120V	PC90-372Q
SPDT	5	208/230V	PC90-374Q
2P-1N.O., 1N.C.	6	24V	PC90-380Q
2P-1N.O., 1N.C.	6	120V	PC90-382Q
2P-1N.O., 1N.C.	6	208/230V	PC90-384Q

GENERAL PURPOSE RELAYS TYPE 91

Part No.	Replaces Honeywell	Coil Volts	Switch	FLA@	
				120V	240V
PC90-341	R4222D1013	120	DPDT	12	6
PC90-342	R4222D1021	208/240	DPDT	12	6
PC90-340	R8222D1014	24	DPDT	12	6



97009317A 5" MOTOR FOR ROOFTOP VENTILATION

Shaded Pole • Air-Over
1/8HP • 4.3A • 115V
Body = 2 5/8" • Shaft = 1/2" X 2 5/8"
1-Speed • CW • 1050 RPM

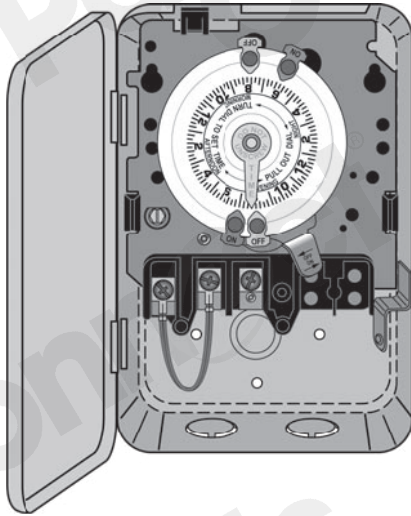
GENERAL PURPOSE TIMERS

24 HOUR ELECTRO-MECHANICAL TIME CONTROLS

Features:

- Dial: 24 Hour, 2 ON and 2 OFF trippers.
- Switch Rating: 2 hp at 120 volts and 5 hp at 240 volts.
- Operations: Up to 10 ON/OFF operations per 24 hours.
- Minimum Setting: 1 hr. between ON/OFF, 2 hr. between OFF/ON.
- Enclosure: Non corrosive NEMA 1.
- For additional tripper pairs, order part number **STPIN**.

- Steel Case Dimensions: 7.9" X 5.3" X 3"(20cm X 13.5cm X .7cm)
- Unit Weight: 2.87 lbs. (1300 grams)
- Temperature Range: -22°F to 158°F (-30°C to 70°C)



Part No.	Volts	Switch	Paragon	Intermatic	Precision	Supco
T101	120	SPST	4001-00	T101	CD101	ST101
T102	240	SPST	4002-71	T102	CD102	ST102
T103	120	DPST	4003-00	T103	CD103	ST103
T104	240	DPST	4004-71	T104	CD104	ST104

REFRIGERATION DEFROST CONTROLS

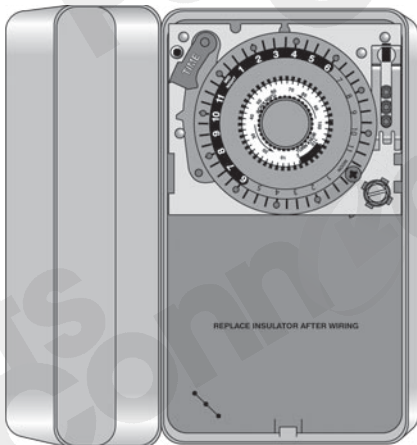
Features & Benefits

- Heavy-duty synchronous motor.
- Adjustable defrost initiation freq. 1 to 6/day
- Adjustable defrost duration: 4 to 110 min
- Contact Arrangements: Electric heat, hot gas, or off cycle defrost.
- Heavy duty steel case w/ knockouts sides, back & bottom
- UL recognized

Specifications:

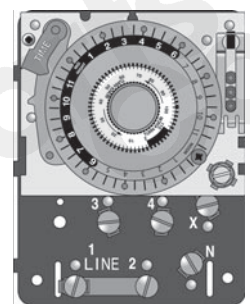
- 120 or 208/240 VAC 60 Hz
- 40 Amp non-inductive
- Maximum HP: 2HP
- Pilot Duty: 670VA
- Operating Temperature Range: -35°F to +175°F
- Case Dimensions: 7.697" H x 4.4" W x 3.8" D
- Weight: DT8141 Series 3.75lbs

Time initiated - Pressure or Temperature Terminated



Part No.	Voltage	NO	NC
DT814500	120	1	1
DT814520	240	1	1

Replacement Drop-In Mechanism



DT814520M

for S814520 or 8145-20

REFRIGERANTS

ONE-STOP SOLUTIONS BUILT FOR PROS

If you are tired of messy dyes and sealants, we have the solution for you. By pre-blending 2 lbs. of gas with additives, our products are a smarter, mess-free way to work on a system.

From the ¼" service valve to the ability to service up to 6 tons of cooling, our convenient, resealable cans are a must-have addition for every truck, van, or shop.

While traditionally offered with R-22 and R410A refrigerants, orders can be customized containing any hydrocarbon or appliance-grade refrigerant.



PCR22	R22 with UV Dye & Sealant
PCR410A	R410A with UV Dye & Sealant
PCCHG (4507)	Charging Hose with Gauge
PCUVL (4514)	UV Light
4200	2 lbs of R422 with dye & sealant
R32	2 lbs of R32
R404A	27.2 oz of R404A
R407C	27.9 oz of R407C
R134A	1.9 lbs of R134A

HYDROCARBON REFRIGERANTS

Hydrocarbon refrigerants are natural, nontoxic, and have no ozone depleting properties. They are more efficient than the HFC refrigerants that they replace. The improved system efficiency they produce reduces energy usage and life cycle costs.



Propane R290

- Meets AHRI 700 Standard
- 99.5% purity level
- UN1978
- CAS#74-98-6
- DOT SP15593 M1119
- Non-odorized and colorless
- Net Weight 13 oz (370g)

R290-08-7/16-8oz	8 oz
R290-12	12 lbs
R290-20	20 lbs



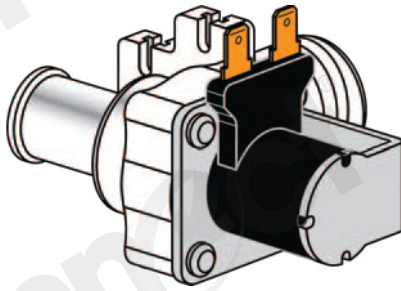
Isobutane R600a

- Meets AHRI 700 Standard
- 99.5% purity level
- UN1978
- CAS#74-98-6
- DOT SP15593 M1119
- Non-odorized and colorless
- Net Weight 14.8 oz (420g)

R600a-7/16-6oz	6 oz [170 gm]
-----------------------	---------------

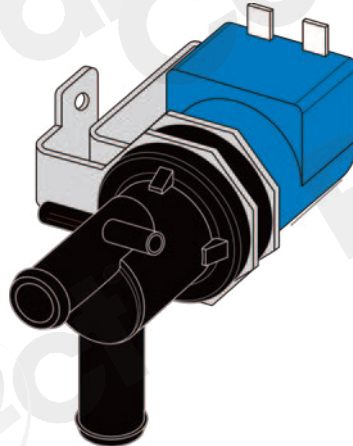
HOSHIZAKI ICE MACHINE

WATER VALVE



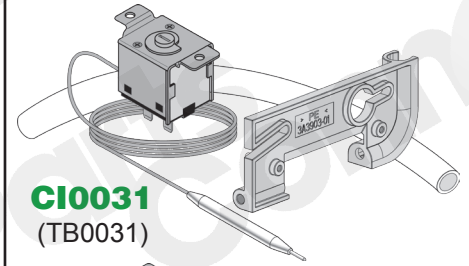
Part No.	Reference	Valve
CI11101	3U0111-01	J248-030
CI11102	3U0111-02	J248-032
CI11103	3U0111-03	J248-033
CI11104	3U0111-04	J248-072

WATER SOLENOID VALVE 120V

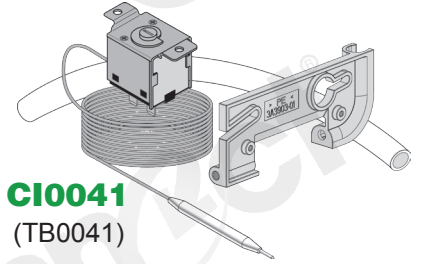


CI32201
(439322-01)

THERMOSTAT KITS



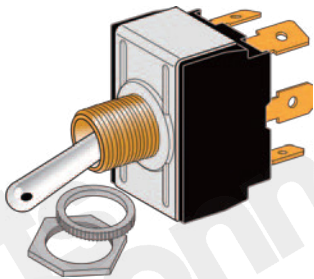
CI0031
(TB0031)



CI0041
(TB0041)

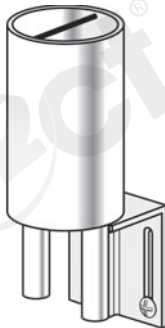
BOTH KITS INCLUDE 3A3903-01
BULB HOLDER
AVAILABLE SEPARATELY

TOGGLE SWITCH



CI11901
(443119-01)

FLOAT SWITCH

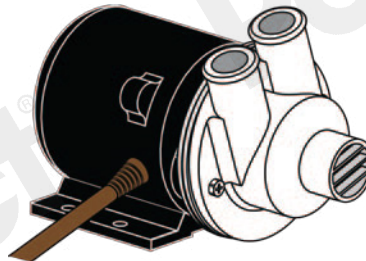


CI62401
(4A3624-01)

CI62402
(4A3624-02)

PUMP MOTOR ASSM.

CI0613
(PA0613)

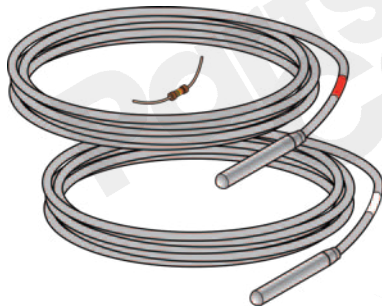


SILICONE HOSE 1 FT.



CI13812
(773013812)

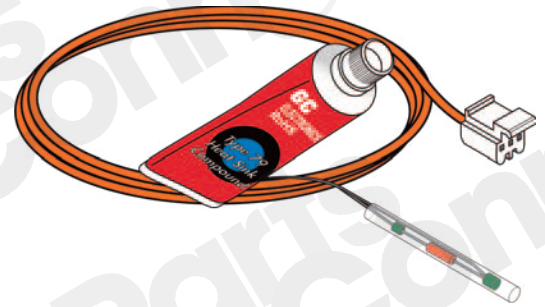
THERMISTOR KITS



CI3540
(HS-3540)

WITH SEAL

CIS005
(TS005)



HINGE SPRING CARTRIDGE (RIGHT)



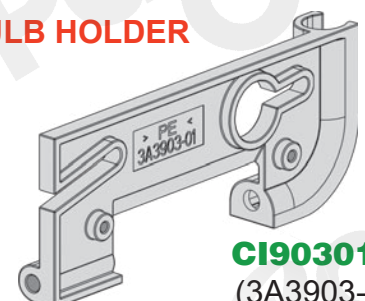
CI43801
(4A0438-01)

HINGE SPRING CARTRIDGE (LEFT)



CI43802
(4A0438-02)

BULB HOLDER

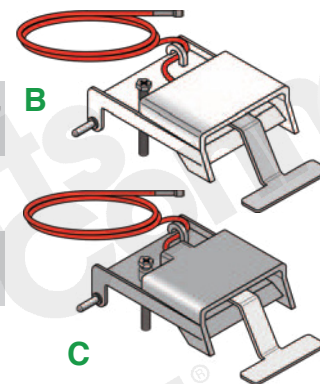
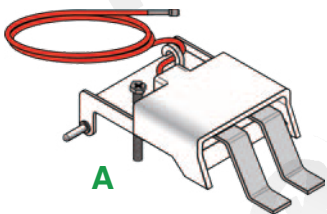


CI90301
(3A3903-01)

MANITOWOC ICE MACHINE

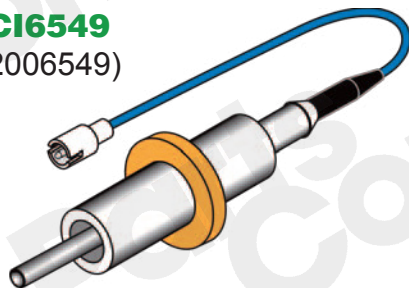
ICE THICKNESS SENSOR

Part No.	Description	Series
CI9963 (7619963)	A 1/4" Terminals 29" Wire Leads	E0200, E0400, E0600 G0150, G0600, G0800, H0200
CI8029 (2008029)	B 5 ³ / ₈ " X 3 ¹ / ₄ " 47" Wire Lead	CDV, JC, QY SD, SR, SY
CI7813 (7627813)	B 4" X 3 ¹ / ₄ " White	BD, BR, BY, JD, JR, JY, PY, PD, QD, QR
CI1603 (7601603)	C 4" X 3 ¹ / ₄ " Gray 14" Leads	Q, QD, QR, QY



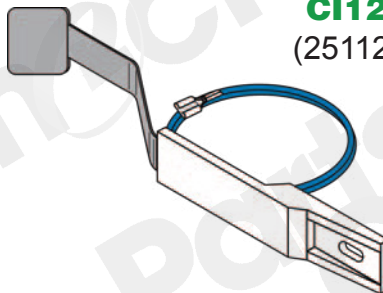
WATER LEVEL PROBE

CI6549
(2006549)



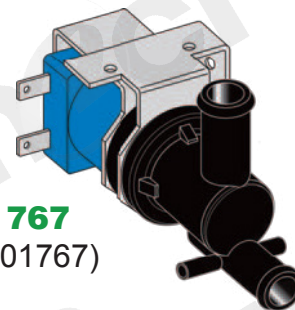
WATER LEVEL PROBE

CI1293
(2511293)

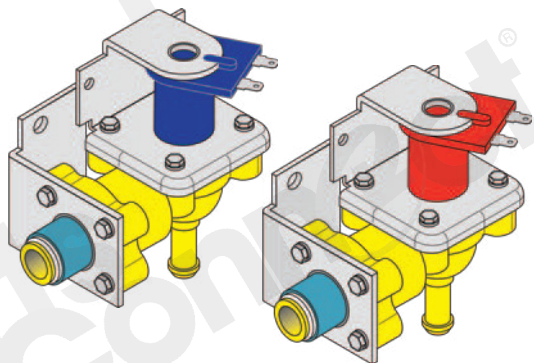


DISPENSE VALVE 120V

CI1767
(00001767)

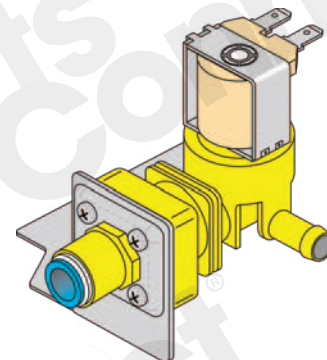


WATER INLET VALVE



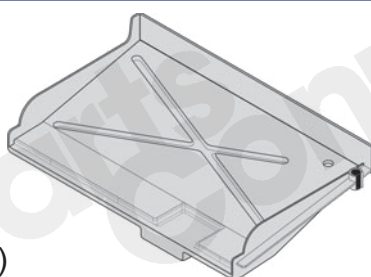
Part No.	Ref	Coil/Voltage
CI7965	000007965	Blue - 120V
CI7966	000007966	Red - 240V

Part No.	Ref	Coil/Voltage	Flow
CI9120	000009120	Tan - 120V	0.5 gpm
CI9122	000009122	Gray - 240V	0.78 gpm
CI9123	000009123	Tan - 120V	0.78 gpm



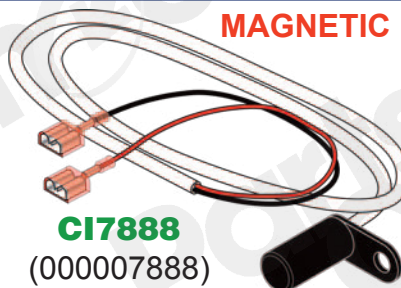
WATER CURTAIN

CI4643
(4304643)

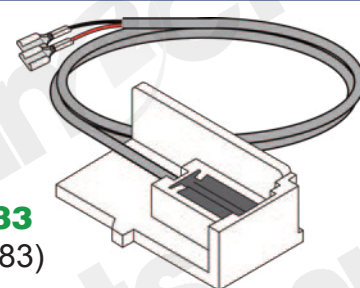


MAGNETIC BIN SWITCH

CI7888
(000007888)

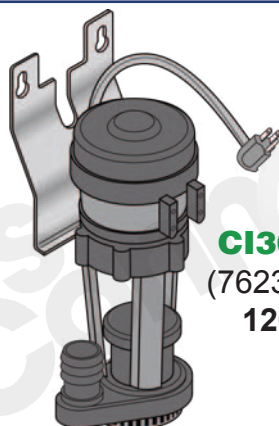


CI1483
(2301483)

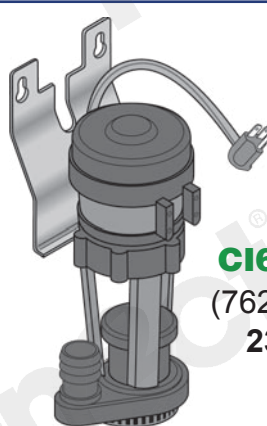


WATER PUMPS

CI3063
(7623063)
120V

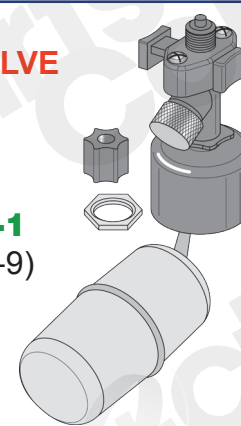


CI6013
(7626013)
230V



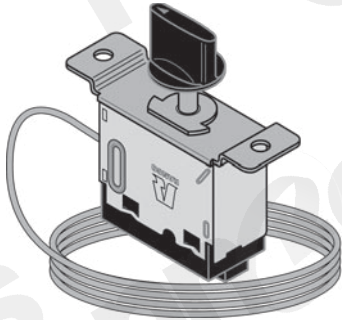
FLOAT VALVE

RM296-1
(83-6904-9)



SCOTSMAN ICEMAKER

BIN THERMOSTAT CONTROL

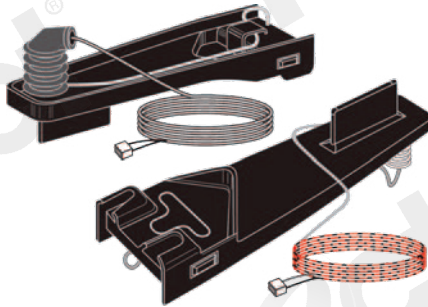


CI42722

(11-0427-22
A30-3722-00)

ICE LEVEL CONTROL

MUST BE REPLACED AS A SET.
One is a sender the other is a receiver.
The one with the long (red & black) wires goes to the right side of the cabinet.



CI54021

(11-0540-21)

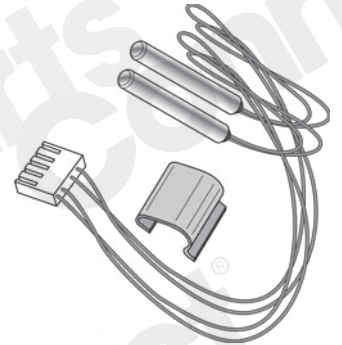
TEMPERATURE SENSOR



CI54521

(11-0545-21)

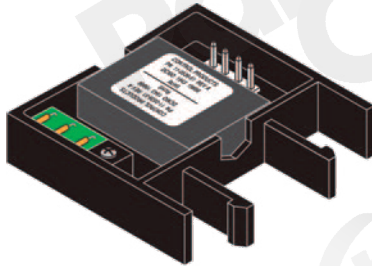
KIT W/CLIP



CI41021

(02-3410-21)

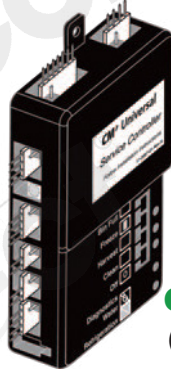
SUMP LEVEL CONTROL



CI53951

(11-0539-51)

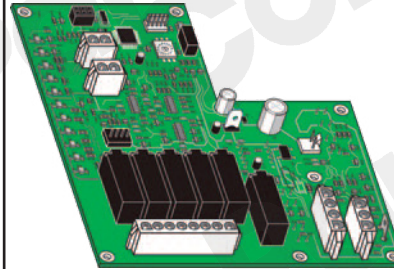
CM₃ SERVICE CONTROLLER



CI83824

(12-2838-24)

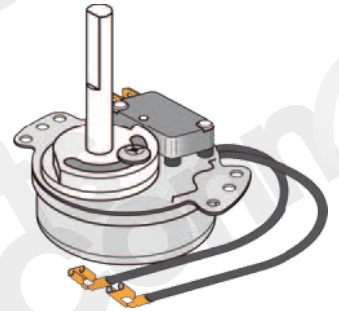
CONTROL BOARD (PRODIGY)



CI55027

(11-0550-27)

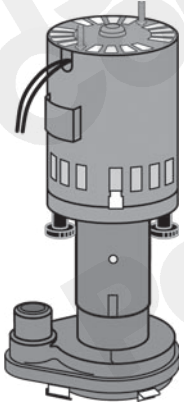
SWITCH & TIMER



CI31721

(12-2317-21)

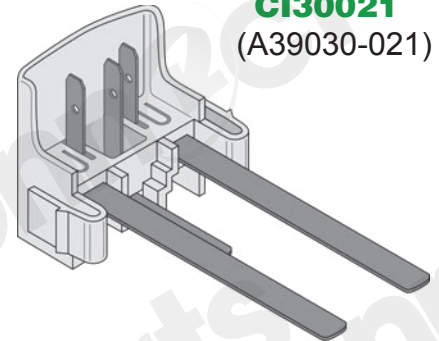
PUMP ASSEMBLIES



Part No.	Ref No.	Model	Voltage	Flow Rate
CI58621	12-2586-21	GPP-4SC-1FSA	120	
CI58623	12-2586-23	GPP-4SC-2FSA	240	
CI58627	12-2586-27	GPP-4SC-1FSC	120	(4.39 gpm)
CI71421	12-2714-21	GPP-6SC-4FS	240	

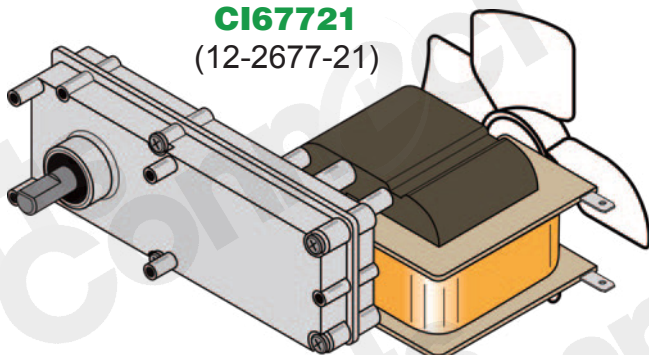
WATER LEVEL SENSOR

CI30021
(A39030-021)



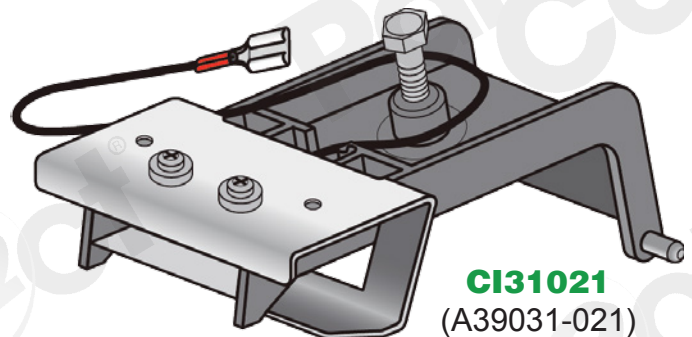
GEAR MOTOR WITH FAN 115V

CI67721
(12-2677-21)



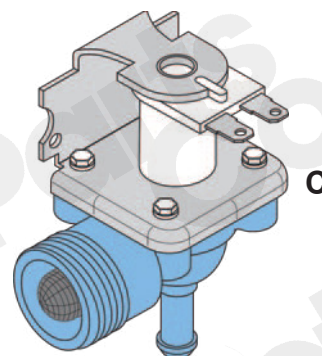
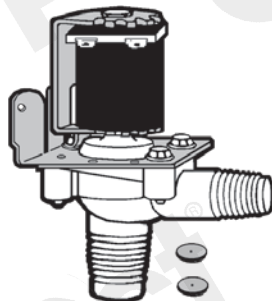
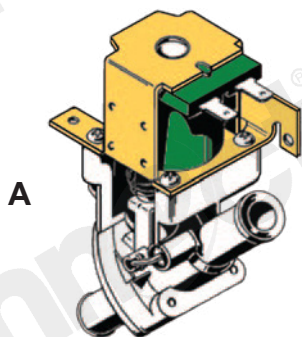
ICE THICKNESS SENSOR

CI31021
(A39031-021)

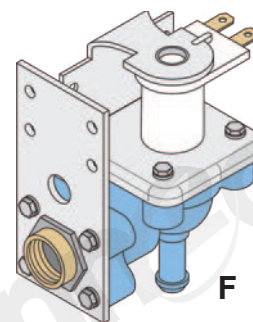
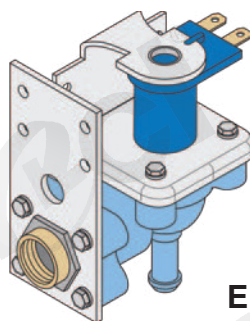
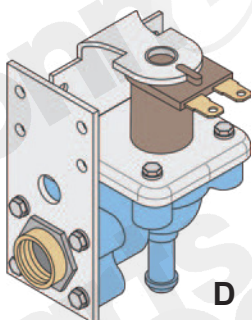


SCOTSMAN ICEMAKER

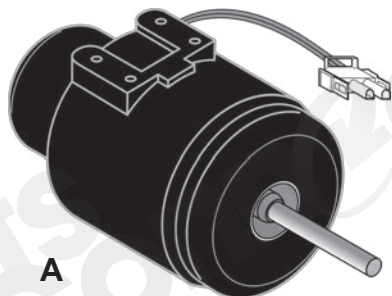
WATER VALVES



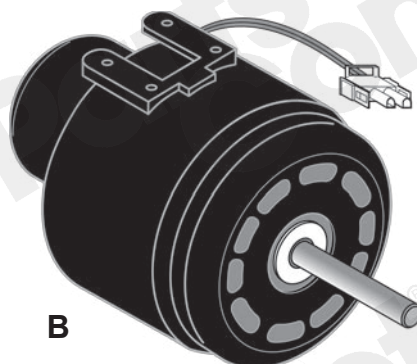
Pic	Part No.	Ref No.		Coil	Coil Volt	Type
A	CI51401	11-0514-01	IMV1401	Green	120	Dump
A	CI51402	11-0514-02	IMV1402	Red	240	Dump
B	CI64601	12-1646-01	IH2005	Black	120	Inlet
C	CI44626	12-2446-26	IH2010A	White	240	Inlet
D	CI54801	12-2548-01	IH2548-01	Brown	24	Inlet
D	CI66601	12-2666-01	IH2666-01	Brown	24	Inlet
E	CI92201	12-2922-01	IMV2201	Blue	115	Inlet
F	CI92202	12-2922-02	-	White	240	Inlet



CONDENSER MOTORS



Pic	Part No.	Ref No.	Voltage
A	CI5050	18-5505-01	115
A	CI5051	18-5505-11	230
B	CI8290	18-8829-01	230



ICE MACHINE

**Parts
Connect**

Affordable 70 lb. per day capacity • 15" Wide **ICE MACHINE**



- 70 lb/day capacity
- 27 lb. Storage Capacity, Removable Storage Bin
- LED Light
- Adjustable Ice Sizes:
 - 15" Width
 - 24" Deep
 - 33¼" High
- Reversible Door
- Brushed Stainless Steel Door



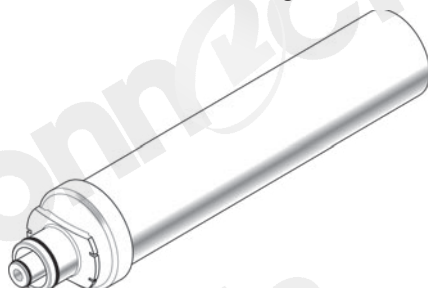
- Built-In Filter
- Front Venting
- Wash Cycle
- 1 Year Warranty

IM70

Equipped with casters in the front & back for easy relocation. Leveling legs are also located in the front. Screw the leveling legs clockwise until the front casters touch the ground. When the desired location is reached, screw the leveling legs counter-clockwise lifting the front casters off the ground.

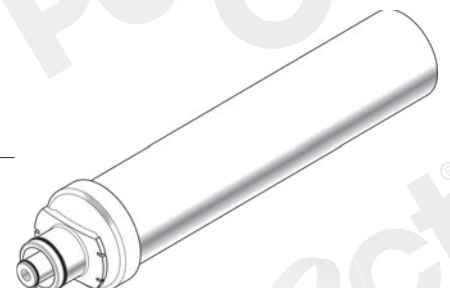
Complete with:

- Ice Scoop
- 9' installation Hose
- Drain Hose
- (2) Front Casters



PAL5641P

Built-In Filter for IM70



INDEX

A/C Evaporator.....	24-25
Bag, Tool.....	5
Blades, Fan.....	15
Brass Gas Cock.....	26
Capacitor.....	16-21
Dual.....	16-17, 20
Oval.....	16, 18, 20
Round.....	17-18, 20
Run.....	16-18, 20
Sigma Cap Pro.....	21
Single.....	16-17, 20
Start.....	19
Cock, Brass Gas.....	26
Coil Kit.....	9
Compressor.....	28-33
Controller.....	29
GMCC.....	31-32
Manitowoc.....	29
Mounting Kit.....	29
R134A.....	28-29
R22.....	32-33
R404A.....	28-29
R410A.....	31, 33
Rotary.....	31-32
Scroll.....	31-33
Secop.....	28-30
Compressor Components.....	30
Condensate Pump.....	26
Condensate Pump, Mini Split.....	27
Condenser Fin Straightener Tool.....	5
Contactors.....	36
1 Pole.....	36
2 Pole.....	36
3 Pole.....	36
4 Pole.....	36
A2L Compliant.....	36
Auxiliary Switch.....	36

INDEX

Magnetic Line	36
Detector	2, 3, 26
Flood.....	26
Gas Leak	2
Low Voltage and LED Flashlight.....	3
Electric Heat Sequencers	10
Fan Blades	15
Flame Switch	7
Gas Cock, Brass.....	26
Hard Start Kit.....	34
Ice Machine / Ice Maker	40-44
Hoshizaki	40
Bulb Holder	40
Float Switch	40
Hinge Spring Cartridge	40
Left.....	40
Right	40
Pump Motor	40
Silicone Hose.....	40
Thermistor Kit	40
with Seal	40
Thermostat Kit	40
Toggle Switch	40
Water Solenoid Valve	40
Water Valve	40
IM70.....	44
9' Installation Hose	44
Drain Hose.....	44
Filter.....	44
Front Casters.....	44
Ice Scoop.....	44
Manitowoc	41
Dispense Valve	41
Float Valve	41
Ice Thickness Sensor	41
Magnetic Bin Switch	41
Water Curtain.....	41

INDEX

Water Inlet Valve.....	41
Water Level Probe.....	41
Water Pumps.....	41
Scotsman.....	42-43
Bin Thermostat Control.....	42
CM ₃ Service Controller.....	42
Condenser Motor.....	43
Control Board (Prodigy).....	42
Gear Motor with Fan.....	42
Ice Level Control.....	42
Ice Thickness Sensor.....	42
Pump Assemblies.....	42
Sump Level Control.....	42
Switch & Timer.....	42
Temperature Sensor.....	42
Water Level Sensor.....	42
Water Valve.....	43
Ignitor.....	7-8
Flat Silicon Carbide.....	7
Nitride.....	7
HSI.....	8
Block Chart.....	8
Ceramic.....	8
Terminal.....	8
Flat Norton 41-Series.....	8
Manitowoc Compressors.....	29
Manometer.....	3
Meter.....	2
Mini Split Condensate Pump.....	27
Motor.....	11-14, 37
Blower.....	12-14
Bracket.....	11
Condenser.....	13-14
Evaporator Fan Kit.....	11
Inducer.....	11
Mounting Kit.....	14
Rooftop Ventilation.....	37

INDEX

Utility Fan.....	11
Vent Hood.....	11
Multimeter.....	2
Psychrometer.....	3
Pump, Condensate.....	26
Pump, Mini Split Condensate.....	27
Refrigerants.....	39
Hydrocarbon.....	39
Isobutane.....	39
Propane.....	39
Refrigeration Defrost Control.....	38
Relay.....	37
General Purpose.....	37
RBM.....	37
Type 91.....	37
Type 184.....	37
Screwdriver.....	5
Terminal.....	22-23
Thermometer.....	3-4
Dual Input.....	3
No Touch.....	4
Pocket.....	4
Timer.....	38
Tool Bag.....	5
Transformer.....	35
Foot Mount.....	35
Zoom Spouts.....	6
Rust Buster.....	6
Zoom Spout Oiler.....	6

WAREHOUSE LOCATIONS

ALABAMA

Appliance Parts, Inc.

228 14th St., Ste. 101 ----- Tuscaloosa, AL 35401 ----- Ph. (205) 345-2828

Fox Appliance Parts

www.foxparts.com

3221 Long Ave ----- Huntsville, AL 35805 ----- Ph. (256) 536-5490

1025 Montlimar Dr----- Mobile, AL 36609 ----- Ph. (251) 316-0081

ARIZONA

Appliance Parts Company

www.appliancepartscompany.com

6825 S. Kyrene Rd. ----- Tempe, AZ 85283 ----- Ph. (480) 755-0006

1595 N. 113th Ave. Suite 104----- Avondale, AZ 85392 ----- Ph. (602) 269-6385

8581 W. Kelton Lane, Suite 205 ----- Peoria, AZ 85382 ----- Ph. (623) 972-5022

2610 E Mohawk Lane Unit 116 ----- Phoenix, AZ 85050 ----- Ph. (480) 505-4335

7155 E. Broadway----- Tucson, AZ 85710 ----- Ph. (520) 751-8800

1861 W. Grant Rd----- Tucson, AZ 85745----- Ph. (520) 624-2102

ARKANSAS

Mid-South Distributing

www.midsouthparts.com

7501 Enmar Drive----- Little Rock, AR 72209 ----- Ph. (501) 565-4144

7821 Doyle Springs Rd. Suite I----- Little Rock, AR 72209 ----- Ph. (501) 975-7558

945 Runway Dr.----- Conway, AR 72032 ----- Ph. (501) 932-9000

6101 Prairie Dr. ----- Fort Smith, AR 72916 ----- Ph. (479) 649-8336

901 Mid-America Blvd.----- Hot Springs, AR 71913 ----- Ph. (501) 767-5775

4221 Stadium Blvd. ----- Jonesboro, AR 72404 ----- Ph. (870) 972-0004

301 East 5th Avenue ----- Pine Bluff, AR 71601 ----- Ph. (870) 535-7830

3509 W. Hudson Rd. ----- Rogers, AR 72756 ----- Ph. (479) 372-4414

301 Newman Drive----- Sherwood, AR 72117 ----- Ph. (501) 753-9052

561 Agnes Dr. ----- Tontitown, AR 72764 ----- Ph. (479) 756-9540

CALIFORNIA

Appliance Parts Company

www.appliancepartscompany.com

222 East 8th St. ----- National City, CA 91950 ----- Ph. (619) 474-6781

1890 N Marshall Ave ----- El Cajon, CA 92022 ----- Ph. (619) 562-3506

600 S. Andreasen Drive----- Escondido, CA 92029 ----- Ph. (760) 745-7521

Appliance Parts Distributor

www.apdappliance.com

16200 E 14th St. ----- San Leandro, CA 94578----- Ph. (510) 357-8200

6843 Dublin Blvd. ----- Dublin, CA 94568 ----- Ph. (925) 828-5800

37250 Fremont Blvd. ----- Fremont, CA 94536 ----- Ph. (510) 490-0600

WAREHOUSE LOCATIONS

CALIFORNIA (Continued)

Coast Appliance Parts

www.coastparts.com

2606 Lee Ave. ----- So. El Monte, CA 91733 ----- Ph. (626) 579-1500
1404 29th Street----- Bakersfield, CA 93301----- Ph. (661) 324-9891
948 Colton Ave. ----- Colton, CA 92324 ----- Ph. (909) 825-4890
12503 Venice Blvd.----- Culver City, CA 90066----- Ph. (310) 397-2110
10680 Mulberry Ave.----- Fontana, CA 92337----- Ph. (909) 428-6251
3260 E. McKinley ----- Fresno, CA 93703----- Ph. (559) 485-4444
15700 S. Broadway----- Gardena, CA 90248 ----- Ph. (310) 354-1540
5916 Kester Ave. ----- Van Nuys, CA 91411 ----- Ph. (818) 782-5770

OCAP Supply

www.ocapsupply.com

10466 Stanford Ave. ----- Garden Grove, CA 92840----- Ph. (714) 534-5300

COLORADO

Appliance Factory Parts

www.appliancefactoryparts.com

5050 Colorado Blvd. ----- Denver, CO 80216 ----- Ph. (303) 696-1111

Ingle Supply Company

www.inglesupply.com

904 West 10th St. ----- Pueblo, CO 81003----- Ph. (719) 543-2612

VIP Appliance & HVAC Parts

www.vipappliance-hvac.com

820 2nd St.----- Greeley, CO 80631 ----- Ph. (970) 353-7333

FLORIDA

AMEREX (Export Only)

www.amerex.world

1810 NW 94 Ave----- Doral, FL 33172 ----- Ph. (305) 717-3317

PartsZone Supply Inc.

www.partszonesupply.com

1810 NW 94 Ave----- Doral, FL 33172 ----- Ph. (305) 779-2477

Fox Appliance Parts

www.foxparts.com

2899 Powers Ave Suite 6----- Jacksonville, FL 32207 ----- Ph. (904) 365-5808

WAREHOUSE LOCATIONS

GEORGIA

Fox Appliance Parts

www.foxparts.com

5375 North Parkway ----- Lake City, GA 30260 ----- Ph. (404) 363-3313
3000 Shawnee Industrial Way Suite 100 ---- Suwanee, GA 30024----- Ph. (770) 446-8446
814 Pickens Industrial Dr. ----- Marietta, GA 30062 ----- Ph. (404) 363-3313
801 Industrial Blvd S.W.------ Gainesville, GA 30501 ----- Ph. (770) 534-2331
4883 Milgen Rd. ----- Columbus, GA 31907 ----- Ph. (706) 324-4398
3503 Wrightsboro Rd. ----- Augusta, GA 30909 ----- Ph. (706) 737-3400
4104 Ogeechee Rd. (Hwy 17S).----- Savannah, GA 31405 ----- Ph. (912) 234-0911

IDAHO

Sundberg Co.

www.sundbergamerica.com

4003 First Ave. South ----- Billings, MT 59101----- Ph. (406) 252-9616

ILLINOIS

Sundberg Co.

www.sundbergamerica.com

5852 W. 51st Street ----- Chicago, IL 60638 ----- Ph. (773) 723-2700
7445 S. State St.------ Chicago, IL 60619----- Ph. (773) 904-2522
4320 North Pulaski Rd. ----- Chicago, IL 60641 ----- Ph. (773) 770-4128
2225 W. Jefferson Ave. ----- Joliet, IL 60435 ----- Ph. (815) 725-4311
15124 S. Cicero Ave.------ Oak Forest, IL 60452----- Ph. (708) 687-1141
615 N. Addison Ave. ----- Villa Park, IL 60181 ----- Ph. (630) 832-8841
385 E. State St.------ South Elgin, IL 60177 ----- Ph. (847) 697-3640

INDIANA

Sundberg Co.

www.sundbergamerica.com

5601 Coldwater Rd. ----- Fort Wayne, IN 46825 ----- Ph. (260) 482-4524

IOWA

Sundberg Co.

www.sundbergamerica.com

1111 W. 3rd St. ----- Davenport, IA 52802 ----- Ph. (563) 322-0063
5047 N.E. 14th St.------ Des Moines, IA 50313 ----- Ph. (515) 266-0107

KANSAS

Arrow Cold Control

www.arrowcoldcontrol.com

28 N. 10th St. ----- Kansas City, KS 66102 ----- Ph. (913) 371-4677
9101 Cody ----- Overland Park, KS 66214 ----- Ph. (913) 894-5222

Washer Specialties Company

www.wsconet.com

224 Indiana Ave. ----- Wichita, KS 67214----- Phone/Text (316) 263-8179

WAREHOUSE LOCATIONS

LOUISIANA

Ideal Appliance Parts

www.idealappliance.com

10569 Florida Blvd. ----- Baton Rouge, LA 70815----- Ph. (225) 226-1755
400 Lapalco Blvd. Suite A ----- Gretna, LA 70056 ----- Ph. (504) 392-6393
214 Edwards Avenue----- Harahan, LA 70123 ----- Ph. (504) 733-5234
3417 Division St.----- Metairie, LA 70002 ----- Ph. (504) 888-4232
1290 Bertrand Dr ----- Lafayette, LA 70506 ----- Ph. (337) 504-2885
3913 Downman Road ----- New Orleans, LA 70126----- Ph. (504) 245-1861
706 Old Spanish Trail ----- Slidell, LA 70458 ----- Ph. (985) 781-3222
4310 Hessmer Ave.----- Metairie, LA 70002 ----- Ph. (504) 356-9511

Mid-South Distributing

www.midsouthparts.com

8825 Jewella Ave ----- Shreveport, LA 71108 ----- Ph. (318) 687-4001
1904 Ruffin Dr. ----- Monroe, LA 71202----- Ph. (318) 503-8099

MARYLAND

D&L Parts Company

www.dlpartsco.com

2100 Freedom Dr.-----Charlotte, NC 28208 ----- Ph. (704) 374-0400

MASSACHUSETTS

All Brand Appliance Parts

www.allbrandonline.com

404 Main Street -----Brockton, MA 02301 ----- Ph. (508) 587-7100
37 Park St.-----Dorchester, MA 02122----- Ph. (617)-288-2928

MICHIGAN

Sundberg Co.

www.sundbergamerica.com

48600 North Michigan Ave. -----Canton, MI 48188 ----- Ph. (773) 723-2700

MINNESOTA

Sundberg Co.

www.sundbergamerica.com

7001 Oxford St.-----St. Louis Park, MN 55426 ----- Ph. (952) 848-0413

MISSISSIPPI

Mid America Appliance Parts

www.midamericaparts.com

2167 Stateline Road West -----Southaven, MS 38671 ----- Ph. (662) 796-0349
609 S. Gloster. -----Tupelo, MS 38801----- Ph. (662) 269-3155

American Appliance & Supply

121 Enochs St -----Tylertown, MS 39667----- Ph. (601) 222-2010
6142 US-98 #30, -----Hattiesburg, MS 39402 ----- Ph. (601)-579-2911

WAREHOUSE LOCATIONS

MISSISSIPPI (Continued)

Ideal Appliance Parts

www.idealappliance.com

9175 US 49, Suite A -----Gulfport, MS 39503----- Ph. (228) 641-2948

MISSOURI

Thompson Supply

www.thompsonsupplystl.com

1916 Woodson Road-----St. Louis, MO 63114----- Ph. (314) 423-3700

Mid-South Distributing

www.midsouthparts.com

2105 E. Stephens Blvd.-----Joplin, MO 64804----- Ph. (417) 659-8870

733 N. Miller Ave.-----Springfield, MO 65802----- Ph. (417) 413-2111

Schepker Parts Supply

www.schepkerparts.com

1 North Service Road-----St. Peters, MO 63376----- Ph. (636) 397-4600

MONTANA

Sundberg Co.

www.sundbergamerica.com

2521 Enterprise Ave, Suite 2-----Billings, MT 59101----- Ph. (406) 252-9616

NEBRASKA

Sundberg Co.

www.sundbergamerica.com

13303 F St.-----Omaha, NE 68137----- Ph. (402) 334-1555

NEVADA

Appliance Parts Company

www.appliancepartscompany.com

2001 S. Western Ave.-----Las Vegas, NV 89102----- Ph. (702) 382-6532

320 S. Rock Blvd. Ste. 150-----Reno, NV 89502----- Ph. (775) 348-7733

NEW JERSEY

All Brand Appliance Parts

www.allbrandonline.com

2060 Springdale Rd, #200-----Cherry Hill, NJ 08003-----Ph. (856) 281-9449

6701 Black Horse Pike, #3-----Egg Harbor Twp, NJ 08234----- Ph. (609) 641-1036

NEW MEXICO

Ingle Supply Company

www.inglesupply.com

904 West 10th St.-----Pueblo, CO 81003----- Ph. (719) 543-2612

WAREHOUSE LOCATIONS

NEW YORK

Seneca River Trading

www.senecarivertrading.com

7283 State Fair Blvd. ----- Baldwinsville, NY 13207----- Ph. (315) 638-1608

NORTH CAROLINA

D&L Parts Company

www.dlpartsco.com

344 N. Louisiana Ave. ----- Asheville, NC 28806 ----- Ph. (828) 254-5714

2100 Freedom Drive ----- Charlotte, NC 28208 ----- Ph. (704) 374-0400

2900 N. Graham St. ----- Charlotte, NC 28206 ----- Ph. (704) 342-9634

9313 Monroe Rd., Suite A & B ----- Charlotte, NC 28270 ----- Ph. (704) 377-5910

2414 Reichard St. ----- Durham, NC 27705 ----- Ph. (919) 220-7078

3485 Clinton Rd. ----- Fayetteville, NC 28312 ----- Ph. (910) 323-3230

3609 Sycamore Dairy Rd. ----- Fayetteville, NC 28303 ----- Ph. (910) 484-1137

2811 Firestone Dr. ----- Greensboro, NC 27406 ----- Ph. (336) 274-7627

4813 West Gate City Blvd. ----- Greensboro, NC 27407 ----- Ph. (336) 299-1042

1207 W. 14th Ave. ----- Greenville, NC 27834 ----- Ph. (252) 752-0336

1707 Highway 70 SW ----- Hickory, NC 28602 ----- Ph. (828) 322-4503

131 Crosslake Park Dr., # 204-205 ----- Mooresville, NC 28117----- Ph. (704) 677-7993

317 Sherwee Dr. ----- Raleigh, NC 27603 ----- Ph. (919) 772-6182

4000 Business Park Dr., Ste 105-A----- Raleigh, NC 27610 ----- Ph. (919) 250-6601

5400 Capital Blvd. ----- Raleigh, NC 27616 ----- Ph. (919) 828-0975

5750 Oleander Dr. ----- Wilmington, NC 28403----- Ph. (910) 799-6533

295 N. Green Meadows Dr., Ste C ----- Wilmington, NC 28405----- Ph. (910) 798-2220

1090 Burke St. ----- Winston-Salem, NC 27101----- Ph. (336) 723-3068

OREGON

Nor-Mon Distributing Inc.

www.normondistributing.com

1134 S.E. Stark St. ----- Portland, OR 97214-1337 ----- Ph. (503) 234-6215

1120 NE 28th Ave., Building 1, Door 8 --- Portland, OR 97232----- Ph. (503) 234-6215

OKLAHOMA

Washer Specialties

www.wsconet.com

224 Indiana Ave. ----- Wichita, KS 67214----- Phone/Text (316) 263-8179

PENNSYLVANIA

McCombs Supply Co.

www.mccombssupply.com

346 North Marshall St. ----- Lancaster, PA 17602 ----- Ph. (717) 299-3866

WAREHOUSE LOCATIONS

PENNSYLVANIA (Continued)

All Brand Appliance Parts

www.allbrandonline.com

1530 E. Race St.----- Allentown, PA 18109----- Ph. (484) 245-0500
605 MacDade Blvd.----- Folsom, PA 19033----- Ph. (610) 534-0800
18 West Chester Pike----- Havertown, PA 19083----- Ph. (610) 446-8894
949 E. Main St.----- Norristown, PA 19401----- Ph. (610) 277-5175

PUERTO RICO

Appliance Parts Imports

www.apipr.net

Ave. Campo Rico GQ-11----- Carolina, Puerto Rico 00982----- Ph. (787) 768-3109
Ave. Principal E6, Baralt----- Fajardo, Puerto Rico 00648----- Ph. (787) 860-3140

SOUTH CAROLINA

Fox Appliance Parts

www.foxparts.com

3503 Wrightsboro Rd.----- Augusta, GA 30909----- Ph. (706) 737-3400

TENNESSEE

Mid America Appliance Parts®

www.midamericaparts.com

5065 American Way----- Memphis, TN 38115----- Ph. (901) 332-1414
4956 Navy Rd.----- Millington, TN 38053----- Ph. (901) 872-0530
275 N. Highland----- Jackson, TN 38301----- Ph. (731) 664-7800
2235 Whitten Rd., Suite 108----- Bartlett, TN 38133----- Ph. (901) 387-3466
464 Distribution Parkway----- Collierville, TN 38017----- Ph. (901) 853-0212

TEXAS

Appliance Parts Company

www.appliancepartscompany.com

2301 E. St. Elmo Road, Ste 205----- Austin, TX 78744----- Ph. (512) 655-2726
601 Florida Ave.----- San Antonio, TX 78210----- Ph. (210) 233-2675

Mid-South Distributing

www.midsouthparts.com

1501 N. Robison----- Texarkana, TX 75501----- Ph.: (903) 838-2446
4707 DC Dr.----- Tyler, TX 75701----- Ph. (903) 592-4440

UTAH

Appliance Parts Company

www.appliancepartscompany.com

2181 W California Ave #200----- Salt Lake City, Utah 84104----- Ph. (801) 975-1333

Ingle Supply Company

www.inglesupply.com

904 West 10th St.----- Pueblo, Colorado 81003----- Ph. (719) 543-2612

WAREHOUSE LOCATIONS

UTAH (Continued)

VIP Appliance & HVAC Parts

www.vipappliance-hvac.com

820 2nd St.----- Greeley, Colorado 80631 ----- Ph. (970) 353-7333

VIRGINIA

D&L Parts Company

www.dlpartsco.com

1220 Fleetway Dr. ----- Chesapeake, VA 23323 ----- Ph. (757) 558-9192

700 Thimble Shoals Blvd, Suite 108 -- Newport News, VA 23606 ----- Ph. (757) 599-8434

5805 School Ave., Suite A ----- Richmond, VA 23228----- Ph. (804) 716-4227

218 Pennsylvania Ave. ----- Virginia Beach, VA 23462 ----- Ph. (757) 519-9191

WASHINGTON

Nor-Mon Distributing Inc.

www.normondistributing.com

1134 S.E. Stark St. ----- Portland, OR 97214-1337----- Ph. (503) 234-6215

WEST VIRGINIA

D&L Parts Company

www.dlpartsco.com

2100 Freedom Dr.-----Charlotte, NC 28208 ----- Ph. (704) 374-0400

WISCONSIN

Parts USA

333 S. Hawley Rd. ----- Milwaukee, WI 53214 ----- Ph. (414) 475-1070

Sundberg Co.

www.sundbergamerica.com

4221 Nakoosa Trail ----- Madison, WI 53714 ----- Ph. (608) 257-2580

5727 W. Burnham St. ----- West Allis, WI 53219 ----- Ph. (414) 543-1700

WYOMING

Ingle Supply Company

www.inglesupply.com

904 West 10th St. ----- Pueblo, CO 81003 ----- Ph. (719) 543-2612

VIP Appliance & HVAC Parts

www.vipappliance-hvac.com

820 2nd St.----- Greeley, CO 80631 ----- Ph. (970) 353-7333

R134a · R513A · 115-127V | 60 Hz
R290 · 115-127 V | 60 Hz

A PREMIUM ROBUST SOLUTION FOR FOOD RETAIL AND FOOD SERVICE

SECOP

The KL-Series for R290 and R134a/R513A was designed to offer a reliable, high-performing, and cost-effective solution for the next generation of light commercial cabinets, providing high energy efficiency. It serves both OEMs and the replacement market.

Available at your Armstrong distributors



KLF / KLE



www.secop.com

Sustainable Cooling Solutions

www.parts-connect.com